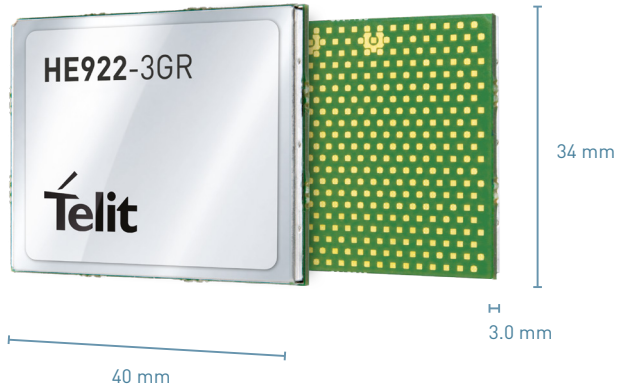




WE922-3GR HE922-3GR

Wi-Fi 802.11 b/g/n BT 4.0 LE	Embedded
UMTS HSPA+ 21.0/5.76	Embedded



Product Description

The WE922-3GR and HE922-3GR allow you to add the user-friendliness of a tablet to your next Internet of things (IoT) device, easily. They are the world's first hybrid IoT modules that combine 3G Cellular, Wi-Fi, Bluetooth and GNSS into a single package. The HE922-3GR and WE922-3GR smart modules are also the first to use the Intel® Atom™ x3 SoC Processor technology with a 64-bit, quad-core processing engine and comprehensive I/O resources. With the functionality and integration resources in these compact sized modules, developers can implement a user-friendly, touch-screen equipped IoT connected device prototype in a matter of weeks.

Variants

These two products fulfill the requirements of European, North American and Asian markets. The multi-band configuration of the HE922-3GR covers different 3G/2G bands as well as MNO certifications.

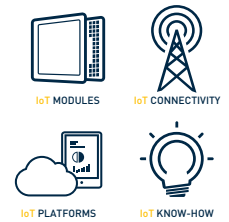
Key Benefits

- Certified modules with integrated connectivity features: Wi-Fi + Bluetooth + GNSS + Optional 3G/2G Cellular
- Atom x3 Quad-Core processor
- Android Marshmallow/Yocto Linux for easy application development
- Easy integration to build IoT platform solutions
- Support multiple bands for a worldwide deployment
- Security features (virtualization, secure VM, secure boot)
- Internal application processor reduces device BOM
- Industrial-grade operating temperature range

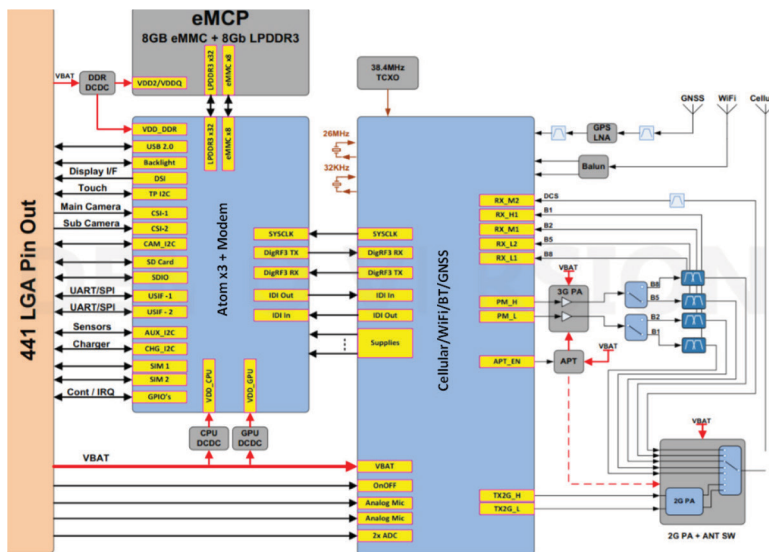
AVAILABLE FOR

- EMEA
- North America
- Latin America
- APAC
- Australia

Complete, Ready to Use Access to the Internet of Things



Module Hardware Architecture



ENABLING END-TO-END
IoT SOLUTIONS

	WE922-3GR	HE922-3GR
Market	EMEA, North America, APAC	EMEA, North America, APAC
Processor	Quad-Core Atom x3 64 bit @ 1.2GHz	Quad-Core Atom x3 64 bit @ 1.2GHz
3G bands (MHz)	•	800 / 900 / 1900 / 2100
2G bands (MHz)	•	Quad band (850 / 900 / 1800 / 1900)
Wi-Fi	Wi-Fi 802.11 b/g/n 2.4 GHz	Wi-Fi 802.11 b/g/n 2.4GHz
Cellular data throughput	•	HSPA+: DL: 21 Mbps UL: 5.76 Mbps
Voice Calls	Not supported	Not supported
Bluetooth	BT 4.0 LE	BT 4.0 LE
GNSS	GPS, Glonass	GPS, Glonass
Operating temperature	commercial: 0°C to +70°C extended: -40°C to +85°C	commercial: 0°C to +70°C extended: -40°C to +85°C
Supply Voltage	3.6 V to 4.2 V (Typ. 3.8 V)	3.6 V to 4.2 V (Typ. 3.8 V)
GPIO	15	15
OS	Android Marshmallow or Yocto Linux	Android Marshmallow or Yocto Linux
USB	2.0, OTG support	2.0, OTG support
UART	x2	x2
SPI	x2	x2
I2C	YES	YES
SDIO	1 for SD card	1 for SD card
Dimensions	34 x 40 x 3.0mm	34 x 40 x 3.0mm
Certifications	GCF, PTCRB, FCC, IC, CE, WPC Wi-Fi & BT certifications (WFA, BT Sig)	GCF, PTCRB, FCC, IC, CE, WPC Carrier Approvals Wi-Fi & BT certifications (WFA, BT Sig)



Join the Telit Technical Forum

For a quicker and more rewarding integration experience join the Telit Technical Forum. There you can browse the first open forum covering all IoT topics, get direct support by region (EMEA, North America, Latin America, APAC), take part in this quickly growing IoT community and exchange experiences.