



Product Technical Specification

AirPrime HL8548 and HL8548-G



SIERRA
WIRELESS®

4114663
9.0
July 24, 2017

Important Notice

Due to the nature of wireless communications, transmission and reception of data can never be guaranteed. Data may be delayed, corrupted (i.e., have errors) or be totally lost. Although significant delays or losses of data are rare when wireless devices such as the Sierra Wireless modem are used in a normal manner with a well-constructed network, the Sierra Wireless modem should not be used in situations where failure to transmit or receive data could result in damage of any kind to the user or any other party, including but not limited to personal injury, death, or loss of property. Sierra Wireless accepts no responsibility for damages of any kind resulting from delays or errors in data transmitted or received using the Sierra Wireless modem, or for failure of the Sierra Wireless modem to transmit or receive such data.

Safety and Hazards

Do not operate the Sierra Wireless modem in areas where cellular modems are not advised without proper device certifications. These areas include environments where cellular radio can interfere such as explosive atmospheres, medical equipment, or any other equipment which may be susceptible to any form of radio interference. The Sierra Wireless modem can transmit signals that could interfere with this equipment. Do not operate the Sierra Wireless modem in any aircraft, whether the aircraft is on the ground or in flight. In aircraft, the Sierra Wireless modem **MUST BE POWERED OFF**. When operating, the Sierra Wireless modem can transmit signals that could interfere with various onboard systems.

Note: Some airlines may permit the use of cellular phones while the aircraft is on the ground and the door is open. Sierra Wireless modems may be used at this time.

The driver or operator of any vehicle should not operate the Sierra Wireless modem while in control of a vehicle. Doing so will detract from the driver or operator's control and operation of that vehicle. In some states and provinces, operating such communications devices while in control of a vehicle is an offence.

Limitations of Liability

This manual is provided "as is". Sierra Wireless makes no warranties of any kind, either expressed or implied, including any implied warranties of merchantability, fitness for a particular purpose, or noninfringement. The recipient of the manual shall endorse all risks arising from its use.

The information in this manual is subject to change without notice and does not represent a commitment on the part of Sierra Wireless. SIERRA WIRELESS AND ITS AFFILIATES SPECIFICALLY DISCLAIM LIABILITY FOR ANY AND ALL DIRECT, INDIRECT, SPECIAL, GENERAL, INCIDENTAL, CONSEQUENTIAL, PUNITIVE OR EXEMPLARY DAMAGES INCLUDING, BUT NOT LIMITED TO, LOSS OF PROFITS OR REVENUE OR ANTICIPATED PROFITS OR REVENUE ARISING OUT OF THE USE OR INABILITY TO USE ANY SIERRA WIRELESS PRODUCT, EVEN IF SIERRA WIRELESS AND/OR ITS AFFILIATES HAS BEEN ADVISED OF THE POSSIBILITY OF SUCH DAMAGES OR THEY ARE FORESEEABLE OR FOR CLAIMS BY ANY THIRD PARTY.

Notwithstanding the foregoing, in no event shall Sierra Wireless and/or its affiliates aggregate liability arising under or in connection with the Sierra Wireless product, regardless of the number of events, occurrences, or claims giving rise to liability, be in excess of the price paid by the purchaser for the Sierra Wireless product.

Patents

This product may contain technology developed by or for Sierra Wireless Inc.

This product includes technology licensed from QUALCOMM®.

This product is manufactured or sold by Sierra Wireless Inc. or its affiliates under one or more patents licensed from MMP Portfolio Licensing.

Copyright

© 2017 Sierra Wireless. All rights reserved.

Trademarks

Sierra Wireless®, AirPrime®, AirLink®, AirVantage®, WISMO®, ALEOS® and the Sierra Wireless and Open AT logos are registered trademarks of Sierra Wireless, Inc. or one of its subsidiaries.

Watcher® is a registered trademark of NETGEAR, Inc., used under license.

Windows® and Windows Vista® are registered trademarks of Microsoft Corporation.

Macintosh® and Mac OS X® are registered trademarks of Apple Inc., registered in the U.S. and other countries.

QUALCOMM® is a registered trademark of QUALCOMM Incorporated. Used under license.

Other trademarks are the property of their respective owners.

Contact Information

Sales information and technical support, including warranty and returns	Web: sierrawireless.com/company/contact-us/ Global toll-free number: 1-877-687-7795 6:00 am to 6:00 pm PST
Corporate and product information	Web: sierrawireless.com

Document History

Version	Date	Updates
1.0	September 19, 2013	Creation
	October 16, 2013	Updated based on initial internal review
	January 08, 2014	Added: <ul style="list-style-type: none"> 2.1 Pin Configuration (Top View, Through Module) 4 Mechanical Drawings
Updated: <ul style="list-style-type: none"> 1.1 Common Flexible Form Factor (CF³) 2 Pad Definition TBC/TBD information throughout the document 		
1.1	February 10, 2014	Updated: <ul style="list-style-type: none"> Figure 1 Architecture Overview Table 8 Pad Definition Table 9 Power Supply Table 18 GPIO Pin Description 3.15 PCM 5.3 Emergency Power OFF
		Added: <ul style="list-style-type: none"> 5.7 ESD Guidelines for USB 5.8 Dual SIM Application
1.2	February 11, 2014	Added load capacitance for VBATT and VBATT_PA after Table 9 Power Supply
		Updated: <ul style="list-style-type: none"> Figure 1 Architecture Overview 1.7 Interfaces Table 8 Pad Definition Table 18 GPIO Pin Description
1.3	February 14, 2014	Updated: <ul style="list-style-type: none"> Weight in 1.2 Physical Dimensions 3.10 POWER ON Signal (PWR_ON_N) 3.11 Reset Signal (RESET_IN_N) 3.14 Clock Interface Table 31 PPS Electrical Characteristics Table 32 RF Connection Table 36 GNSS Interface Specifications 5.3 Emergency Power OFF 5.6 ESD Guidelines for SIM Card 5.9 Radio Integration
		Added: <ul style="list-style-type: none"> 3.5.1 UIM1_DET 3.21.2 GNSS Antenna Interface 3.21.3 GNSS Antenna Recommendations Figure 19 Power OFF Sequence for PWR_ON_N, VGPIO 8 Ordering Information

Version	Date	Updates
2.0	May 27, 2014	Updated: <ul style="list-style-type: none"> Table 2 General Features Table 8 Pad Definition Table 29 SW Trace Pin Description
2.1	July 02, 2014	Updated: <ul style="list-style-type: none"> Table 6 Regulation Compliance Table 10 Current Consumption Table 12 VGPIIO Electrical Characteristics 3.10 POWER ON Signal (PWR_ON_N) 3.11 Reset Signal (RESET_IN_N) Table 22 ADC Electrical Characteristics Table 33 RF Performance 5.1 Power-Up Sequence 5.2 Module Switch-Off 7 FCC/IC Legal Information
		Added: <ul style="list-style-type: none"> Band 19 support Table 11 Current Consumption per Power Supply (VBATT_PA and VBATT; typical values) 5.3 Emergency Power OFF
2.2	July 04, 2014	Updated: <ul style="list-style-type: none"> Table 18 GPIO Pin Description 3.10 POWER ON Signal (PWR_ON_N) Table 23 PWM Electrical Characteristics 3.15 PCM 3.18 PPS (HL8548-G Only) 5.1 Power-Up Sequence
		Added 5.5 Power Supply Design
3.0	October 20, 2014	<ul style="list-style-type: none"> Fixed typo in section 3.6 USB Added cautionary note in section 5.2 Module Switch-Off Updated: <ul style="list-style-type: none"> Table 3 GNSS Capabilities 3.18 PPS (HL8548-G Only) 3.21 GNSS Interface 7 FCC/IC Legal Information
	February 09, 2015	Added Table 16 USB_VBUS Electrical Characteristics
		Updated: <ul style="list-style-type: none"> Table 10 Current Consumption (at nominal voltage, 3.7V; typical values) 3.6 USB 3.8 General Purpose Input/Output (GPIO)
		Deleted X-Ray Exposure
	February 16, 2015	Updated 3.21.1 GNSS Performances
March 10, 2015	Added: <ul style="list-style-type: none"> 1.5 Encryption Support 6 Reliability Specification 	

Version	Date	Updates
3.0	March 10, 2015	Updated: <ul style="list-style-type: none"> • Table 2 General Features • Figure 2 Mechanical Overview • 2 Pad Definition • 3.2 Current Consumption • 3.9 Main Serial Link (UART1) • 3.15 PCM • 3.20.1 RF Connection • Table 36 GNSS Interface Specifications
4.0	June 03, 2015	Updated: <ul style="list-style-type: none"> • 1.2 Physical Dimensions • Table 4 ESD Specifications • Table 10 Current Consumption (at nominal voltage, 3.7V; typical values) • Table 13 BAT_RTC Electrical Characteristics • Table 45 Handling Resistance Stress Tests • Table 46 Ordering Information
4.1	August 11, 2015	Updated Table 8 Pad Definition
5.0	October 14, 2015	Updated: <ul style="list-style-type: none"> • 1.9 ESD • Table 8 Pad Definition • 3.16 I²C Interface • 6 Reliability Specification
5.1	October 26, 2015	Updated 6 Reliability Specification
6.0	March 01, 2016	Updated: <ul style="list-style-type: none"> • Table 2 General Features • 3.9 Main Serial Link (UART1)
7.0	June 06, 2016	Added 1.11 Conformance with ATEX 94/9/CE Directive
		Updated: <ul style="list-style-type: none"> • Table 6 Regulation Compliance • 3.21.3 GNSS Antenna Recommendations
7.1	June 07, 2016	Updated Figure 24 GSM Antenna Connection with Antenna Detection
8.0	February 14, 2017	Updated: <ul style="list-style-type: none"> • Figure 19 Power OFF Sequence for PWR_ON_N, VGPIO • Table 46 Ordering Information
9.0	July 24, 2017	Deleted HSIC

Contents

1. INTRODUCTION	13
1.1. Common Flexible Form Factor (CF ³)	13
1.2. Physical Dimensions	14
1.3. General Features.....	14
1.4. GNSS Features	17
1.5. Encryption Support.....	17
1.6. Architecture	18
1.7. Interfaces.....	18
1.8. Connection Interface	19
1.9. ESD	19
1.10. Environmental and Certifications.....	20
1.10.1. Environmental Specifications	20
1.10.2. Regulatory	20
1.10.3. RoHS Directive Compliant	22
1.10.4. Disposing of the Product	22
1.11. Conformance with ATEX 94/9/CE Directive	22
1.12. References	22
2. PAD DEFINITION	23
2.1. Pin Configuration (Top View, Through Module)	28
3. DETAILED INTERFACE SPECIFICATIONS	29
3.1. Power Supply	29
3.2. Current Consumption	29
3.3. VGPIO	31
3.4. BAT_RTC	32
3.5. SIM Interface	32
3.5.1. UIM1_DET.....	33
3.6. USB	33
3.7. Electrical Information for Digital I/O	33
3.8. General Purpose Input/Output (GPIO)	34
3.9. Main Serial Link (UART1).....	35
3.9.1. 8-wire Application	36
3.9.2. 4-wire Application	36
3.9.3. 2-wire Application	37
3.10. POWER ON Signal (PWR_ON_N).....	37
3.11. Reset Signal (RESET_IN_N)	38
3.12. ADC	38
3.13. PWM.....	39

3.13.1.	Electrical Characteristics	39
3.13.2.	Pin Description	39
3.13.3.	Application	40
3.14.	Clock Interface	40
3.15.	PCM	41
3.16.	I ² C Interface	42
3.16.1.	I ² C Waveforms	42
3.16.2.	I ² C Electrical Characteristics	42
3.16.3.	I ² C Pin Description	43
3.17.	Debug Interfaces	43
3.17.1.	Debug Port	43
3.17.2.	JTAG	43
3.18.	PPS (HL8548-G Only)	44
3.19.	EXT_LNA_GPS_EN (HL8548-G only)	44
3.20.	RF Interface	45
3.20.1.	RF Connection	45
3.20.2.	RF Performances	45
3.20.3.	TX Burst Indicator (2G_TX_ON)	45
3.21.	GNSS Interface	46
3.21.1.	GNSS Performances	47
3.21.2.	GNSS Antenna Interface	47
3.21.3.	GNSS Antenna Recommendations	48
4.	MECHANICAL DRAWINGS	49
5.	DESIGN GUIDELINES	52
5.1.	Power-Up Sequence	52
5.2.	Module Switch-Off	52
5.3.	Emergency Power OFF	53
5.4.	Sleep Mode Management	53
5.4.1.	Using UART	53
5.4.2.	Using USB	54
5.5.	Power Supply Design	54
5.6.	ESD Guidelines for SIM Card	54
5.7.	ESD Guidelines for USB	55
5.8.	Dual SIM Application	56
5.9.	Radio Integration	56
5.9.1.	GSM Antenna Integration with Antenna Detection Circuitry	56
5.9.2.	GNSS Active Antenna Integration	57
6.	RELIABILITY SPECIFICATION	58
6.1.	Reliability Compliance	58
6.2.	Reliability Prediction Model	58
6.2.1.	Life Stress Test	58
6.2.2.	Environmental Resistance Stress Tests	59

6.2.3.	Corrosive Resistance Stress Tests	59
6.2.4.	Thermal Resistance Cycle Stress Tests	60
6.2.5.	Mechanical Resistance Stress Tests	61
6.2.6.	Handling Resistance Stress Tests	62
7.	FCC/IC LEGAL INFORMATION.....	63
7.1.	FCC Regulations	63
7.2.	IC Regulations	64
8.	ORDERING INFORMATION	66
9.	TERMS AND ABBREVIATIONS	67

List of Figures

Figure 1.	Architecture Overview	18
Figure 2.	Mechanical Overview	19
Figure 3.	Pin Configuration	28
Figure 4.	8-wire UART Application Example	36
Figure 5.	4-wire UART Application Example	36
Figure 6.	2-wire UART Application Example	37
Figure 7.	PWR_ON_N Assertion Time	37
Figure 8.	Relative Timing for the PWM Output	39
Figure 9.	Example of an LED Driven by either the PWM1 or PWM2 Output	40
Figure 10.	PCM Timing Waveform	42
Figure 11.	I ² C Timing Diagram (Master Mode).....	42
Figure 12.	PPS Signal	44
Figure 13.	2G_TX_ON State during TX Burst	46
Figure 14.	Mechanical Drawing	49
Figure 15.	Dimensions Drawing	50
Figure 16.	Footprint	51
Figure 17.	PWR_ON_N Sequence with VGPIO Information	52
Figure 18.	PWR_ON_N Sequence with T _{rampup}	52
Figure 19.	Power OFF Sequence for PWR_ON_N, VGPIO	53
Figure 20.	Voltage Limiter Example	54
Figure 21.	EMC and ESD Components Close to the SIM	55
Figure 22.	ESD Protection for USB	55
Figure 23.	Reference Design for Dual SIM Application	56
Figure 24.	GSM Antenna Connection with Antenna Detection	57
Figure 25.	GNSS Application with Active Antenna	57

>> | List of Tables

Table 1.	Supported Bands/Connectivity	13
Table 2.	General Features	14
Table 3.	GNSS Capabilities	17
Table 4.	ESD Specifications	19
Table 5.	Environmental Specifications	20
Table 6.	Regulation Compliance	21
Table 7.	Values for ATEX Conformance	22
Table 8.	Pad Definition	23
Table 9.	Power Supply	29
Table 10.	Current Consumption (at nominal voltage, 3.7V; typical values)	29
Table 11.	Current Consumption per Power Supply (VBATT_PA and VBATT; typical values)	31
Table 12.	VGPIO Electrical Characteristics	31
Table 13.	BAT_RTC Electrical Characteristics	32
Table 14.	Electrical Characteristics of UIM1	32
Table 15.	USB Pin Description	33
Table 16.	USB_VBUS Electrical Characteristics	33
Table 17.	Digital I/O Electrical Characteristics	34
Table 18.	GPIO Pin Description	34
Table 19.	UART1 Pin Description	35
Table 20.	PWR_ON_N Electrical Characteristics	37
Table 21.	RESET_IN_N Electrical Characteristics	38
Table 22.	ADC Electrical Characteristics	38
Table 23.	PWM Electrical Characteristics	39
Table 24.	PWM Pin Description	39
Table 25.	Clock Interface Pin Description	40
Table 26.	Digital Audio Electrical Characteristics	41
Table 27.	I ² C Electrical Characteristics	42
Table 28.	I ² C Pin Description	43
Table 29.	SW Trace Pin Description	43
Table 30.	JTAG Pin Description	44
Table 31.	PPS Electrical Characteristics	44
Table 32.	RF Connection	45
Table 33.	RF Performance	45
Table 34.	Burst Indicator States	45
Table 35.	TX Burst Characteristics	46
Table 36.	GNSS Interface Specifications	47
Table 37.	GNSS Antenna Specifications	47

Table 38.	GNSS Antenna Recommendations	48
Table 39.	Standards Conformity.....	58
Table 40.	Life Stress Test.....	58
Table 41.	Environmental Resistance Stress Tests	59
Table 42.	Corrosive Resistance Stress Tests	59
Table 43.	Thermal Resistance Cycle Stress Tests	60
Table 44.	Mechanical Resistance Stress Tests	61
Table 45.	Handling Resistance Stress Tests	62
Table 46.	Ordering Information	66

1. Introduction

This document is the Product Technical Specification for the AirPrime HL8548 and HL8548-G Embedded Modules. It defines the high-level product features and illustrates the interfaces for these features. This document is intended to cover the hardware aspects of the product series, including electrical and mechanical.

The AirPrime HL8548 and HL8548-G belong to the AirPrime HL Series from Essential Connectivity Module family. These are industrial grade Embedded Wireless Modules that provides voice and data connectivity on GPRS, EDGE, WCDMA, HSDPA and HSUPA networks (as listed in Table 1 Supported Bands/Connectivity). On top of this, the HL8548-G also provides GNSS functionality.

The HL8548 and HL8548-G support a large variety of interface like Digital Audio and Dual SIM Single Standby to provide customers with the highest level of flexibility in implementing high-end solutions.

Table 1. Supported Bands/Connectivity

RF Band	Transmit Band (Tx)	Receive Band (Rx)	Maximum Output Power
UMTS B1	1922 to 1978 MHz	2112 to 2168 MHz	23 dBm (\pm 2dBm) Class 3bis
UMTS B2	1852 to 1908 MHz	1932 to 1988 MHz	23 dBm (\pm 2dBm) Class 3bis
UMTS B5	826 to 847 MHz	871 to 892 MHz	23 dBm (\pm 2dBm) Class 3bis
UMTS B6	832 to 838 MHz	877 to 883 MHz	23 dBm (\pm 2dBm) Class 3bis
UMTS B8	882 to 913 MHz	927 to 958 MHz	23 dBm (\pm 2dBm) Class 3bis
UMTS B19	832.4 to 842.6 MHz	877.4 to 887.6 MHz	23 dBm (\pm 2dBm) Class 3bis
GSM 850	824 to 849 MHz	869 to 894 MHz	2 Watts GSM, GPRS and EDGE
E-GSM 900	880 to 915 MHz	925 to 960 MHz	2 Watts GSM, GPRS and EDGE
DCS 1800	1710 to 1785 MHz	1805 to 1880 MHz	1 Watt GSM, GPRS and EDGE
PCS 1900	1850 to 1910 MHz	1930 to 1990 MHz	1 Watt GSM, GPRS and EDGE
GPS	--	1575.42 \pm 20 MHz	--
GLONASS	--	1597.5 to 1605.8 MHz	--

1.1. Common Flexible Form Factor (CF³)

The AirPrime HL8548 and HL8548-G belong to the Common Flexible Form Factor (CF³) family of modules. This family consists of a series of WWAN modules that share the same mechanical dimensions (same width and length with varying thicknesses) and footprint. The CF³ form factor provides a unique solution to a series of problems faced commonly in the WWAN module space as it:

- Accommodates multiple radio technologies (from 2G to LTE advanced) and band groupings
- Supports bit-pipe (Essential Module Series) and value add (Smart Module Series) solutions
- Offers electrical and functional compatibility
- Provides Direct Mount as well Socketability depending on customer needs

1.2. Physical Dimensions

The AirPrime HL8548 and HL8548-G modules are compact, robust, fully shielded modules with the following dimensions:

- Length: 23 mm
- Width: 22 mm
- Thickness: 2.5 mm
- Weight: 3.1 g

Note: *Dimensions specified above are typical values.*

1.3. General Features

The table below summarizes the AirPrime HL8548 and HL8548-G features.

Table 2. General Features

Feature	Description
Physical	<ul style="list-style-type: none"> • Small form factor (146-pin solderable LGA pad) – 23mm x 22mm x 2.5mm (nominal) • Complete body shielding • RF connection pads – RF primary and GNSS interface • Baseband signals connection
Electrical	Single or double supply voltage (VBATT and VBATT_PA) – 3.2V – 4.5V
RF	<ul style="list-style-type: none"> • Quad-band GSM / GPRS / EDGE (850 MHz, 900 MHz, 1800 MHz, 1900 MHz) • Hexa-band UMTS WCDMA FDD (800 MHz (B19), 850 MHz(B5/B6), 900MHz(B8), 1900 MHz(B2), 2100MHz(B1)) • GPS (1575.42 MHz), GLONASS (1602MHz)
Audio interface	<ul style="list-style-type: none"> • Digital interface (ONLY) • Supports Enhanced Full Rate (EFR), Full Rate (FR), Half Rate (HR), and both Narrow-Band and Wide-band Adaptive Multirate (AMR-NB and AMR-WB) vocoders • MO and MT calling • Echo cancellation and noise reduction • Emergency calls (112, 110, 911, etc.) • Incoming call notification • DTMF generation
SIM interface	<ul style="list-style-type: none"> • Dual SIM Single Standby with fast network switching capability • 1.8V/3V support • SIM extraction / hot plug detection • SIM/USIM support • Conforms with ETSI UICC Specifications. • Supports SIM application tool kit with proactive SIM commands

Feature	Description
Application interface	<ul style="list-style-type: none"> • NDIS NIC interface support (Windows XP**, Windows 7**, Windows 8**, Windows CE**, Linux) • Multiple non-multiplexed USB channel support • Dial-up networking • USB selective suspend to maximize power savings • CMUX multiplexing over UART • AT command interface – 3GPP 27.007 standard, plus proprietary extended AT commands
Protocol Stack	<p>Dual-mode UMTS (WCDMA) / HSDPA / HSUPA / EDGE / GPRS / GSM operation</p> <ul style="list-style-type: none"> • GSM/GPRS/EDGE <ul style="list-style-type: none"> ▪ GPRS/EDGE – Class 33 (296 kbits downlink and 236.8 kbits uplink) ▪ CSD (Circuit-switched data bearers) ▪ Release 4 GERAN Feature Package 1 ▪ SAIC / DARP Phase 1 ▪ Latency Reduction ▪ Repeated FACCH and Repeated SACCH ▪ A-GPS support ▪ GPRS ROHC ▪ Enhanced Operator Name String (EONS) ▪ Enhanced Network Selection (ENS) • WCDMA <ul style="list-style-type: none"> ▪ 3GPP WCDMA FDD Multimode Type II UE Protocol Stack ▪ Configurable for data classes up to 384 kBit/s ▪ Inter-RAT Handover and Cell Reselection ▪ Supports two types of Compressed Mode ▪ Network Assisted Cell Change from UTRAN to GERAN and GERAN to UTRAN ▪ A-GPS support ▪ CSD (Circuit-switched data bearers) over WCDMA (transparent/non-transparent up to 64 kBit/s; Support for Video Telephony) • HSDPA (High Speed Downlink Packet Access) <ul style="list-style-type: none"> ▪ Compliant with 3GPP Release 5 ▪ HSDPA Category 8 data rate – 7.2 Mbps (peak rate) ▪ IPv6 support • HSUPA (High Speed Uplink Packet Access) <ul style="list-style-type: none"> ▪ Compliant with 3GPP Release 6 ▪ HSUPA Category 6 data rate - 5.76 Mbps (peak rate) ▪ Robust Header Compression (RoHC) ▪ Fractional DPCH • HSPA+ (Evolved High Speed Packet Access) <ul style="list-style-type: none"> ▪ Compliant with 3GPP Release 7 ▪ Higher-Order Modulation (HOM) ▪ MAC-ehs support ▪ Continuous Packet Connectivity (CPC) ▪ Enhanced F-DPCH ▪ Enhanced Cell FACH ▪ Circuit Switched Voice over HSPA

Feature	Description
SMS	<ul style="list-style-type: none"> • SMS MO and MT • CS and PS support • SMS saving to SIM card or ME storage • SMS reading from SIM card or ME storage • SMS sorting • SMS concatenation • SMS Status Report • SMS replacement support • SMS storing rules (support of AT+CNMI, AT+CNMA)
Supplementary Services	<ul style="list-style-type: none"> • Call Barring • Call Forwarding • Call Hold • Caller ID • Call Waiting • Multi-party service • USSD • Automatic answer
GNSS*	<p>Provides:</p> <ul style="list-style-type: none"> • Standalone GNSS functionality • GPS and GLONASS support • A-GPS features • NMEA support <hr style="border: 1px solid red;"/> <p><i>Note: Actual GNSS functionality is dependent on the firmware version, and on module configuration.</i></p>
Connectivity	<ul style="list-style-type: none"> • Multiple (up to 20) cellular packet data profiles • Sleep mode for minimum idle power draw • Automatic GPRS attach at power-up • GPRS detach • Mobile-originated PDP context activation / deactivation • Support QoS profile <ul style="list-style-type: none"> ▪ Release 97 – Precedence Class, Reliability Class, Delay Class, Peak Throughput, Mean Throughput ▪ Release 99 QoS negotiation – Background, Interactive, and Streaming • Static and Dynamic IP address. The network may assign a fixed IP address or dynamically assign one using DHCP (Dynamic Host Configuration Protocol). • Supports PAP and CHAP authentication protocols • PDP context type (IPv4, IPv6, IPv4v6). IP Packet Data Protocol context • RFC1144 TCP/IP header compression • Interaction with existing GSM services (MO/MT SMS voice calls) while: <ul style="list-style-type: none"> ▪ GPRS is attached, or ▪ In a GPRS data session (class B GPRS suspend / resume procedures)
Environmental	<p>Operating temperature ranges (industrial grade):</p> <ul style="list-style-type: none"> • Class A: -30°C to +70°C • Class B: -40°C to +85°C

Feature	Description
RTC	Real Time Clock (RTC) with calendar and alarm
Temperature Sensor	<ul style="list-style-type: none"> • Temperature monitoring • Alarms

* Only available on the AirPrime HL8548-G.

** USB drivers have not been certified by Microsoft and should only be used for test purposes.

1.4. GNSS Features

The table below summarizes the AirPrime HL8548-G GNSS capabilities.

Table 3. GNSS Capabilities

Feature	Description
GPS	L1 band (CDMA 1575.42 MHz)
GLONASS	L1 Band (FDMA 1602MHz)
Channels	52
Antenna	Passive or active antenna support
Assistance data	Server-generated Extended Ephemeris

1.5. Encryption Support

The AirPrime HL8548 and HL8548-G supports the following encryption algorithms:

- Ciphering algorithms A51, A52 and A53
- GEA1/GEA2 and GEA3 algorithm for GPRS encryption
- Cyclic Redundancy Check (CRC) with programmable polynomial
- UMTS confidentiality algorithm f8 for message ciphering (Kasumi based UEA1)
- UMTS integrity algorithm f9 for message authentication (Kasumi based UIA1 and SNOW 3G based UIA2)

1.6. Architecture

The figure below presents an overview of the AirPrime HL8548 and HL8548-G internal architecture and external interfaces.

Note: Dotted parts are only supported on the AirPrime HL8548-G.

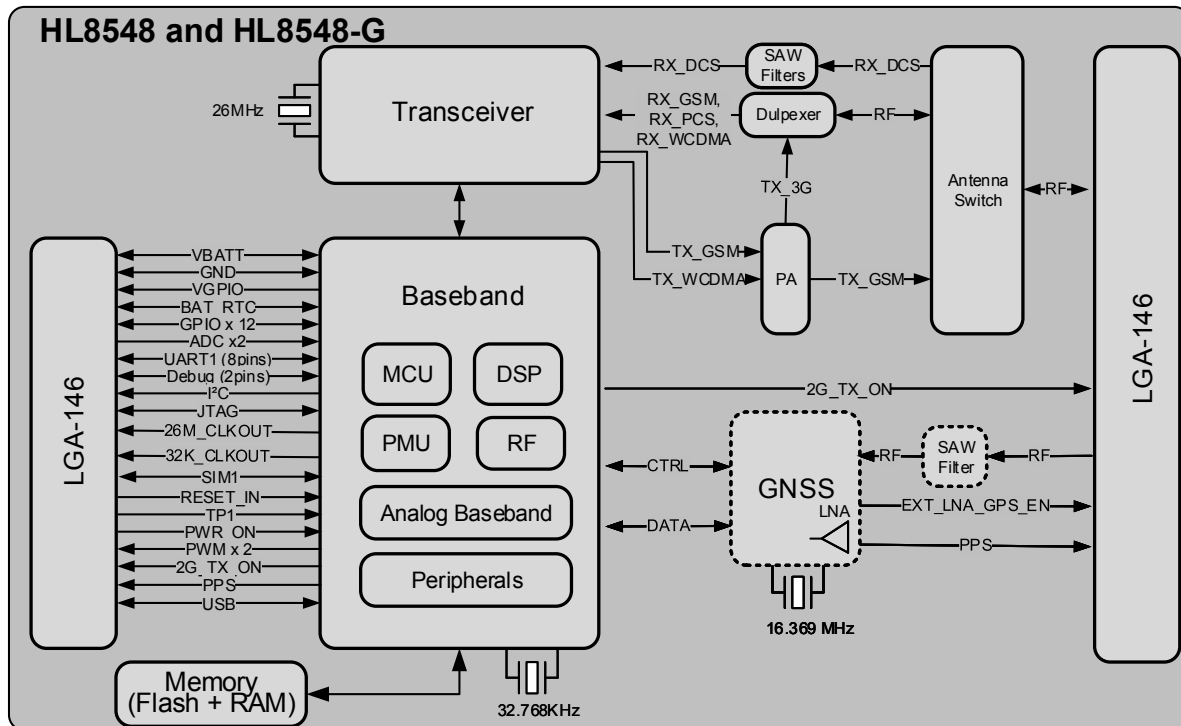


Figure 1. Architecture Overview

1.7. Interfaces

The AirPrime HL8548 and HL8548-G module provides the following interfaces and peripheral connectivity:

- 1x – 8-pin UART
- 1x – I²C
- 1x – Active Low RESET
- 1x – USB 2.0
- 1x – Backup Battery Interface
- 2x – System Clock Out
- 1x – Active Low POWER ON
- 1x – 1.8V/3V SIM
- 1x – Digital Audio
- 2x – ADC
- 1x – JTAG Interface
- 1x – Debug Interface
- 2x – PWM

- 12x – GPIOs with 4 multiplexes
- 1x – 2G TX Burst Indicator
- 1x – GSM Antenna

In addition, the AirPrime HL8548-G module provides the following additional interfaces and peripheral connectivity:

- GNSS Antenna
- External GNSS LNA Enable/Disable
- Pulse Per Second

1.8. Connection Interface

The AirPrime HL8548 and HL8548-G module is an LGA form factor device. All electrical and mechanical connections are made through the 146 Land Grid Array (LGA) pads on the bottom side of the PCB.

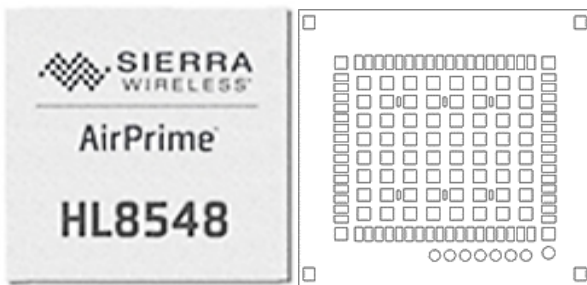


Figure 2. Mechanical Overview

The 146 pads have the following distribution:

- 66 inner signal pads, 1x0.5mm, pitch 0.8mm
- 1 reference test point (Ground), 1.0mm diameter
- 7 test point (JTAG), 0.8mm diameter, 1.20mm pitch
- 64 inner ground pads, 1.0x1.0mm, pitch 1.825mm/1.475mm
- 4 inner corner ground pads, 1x1mm
- 4 outer corner ground pads, 1x0.9mm

1.9. ESD

Refer to the following table for ESD Specifications.

Table 4. ESD Specifications

Category	Connection	Specification
Operational	RF ports	IEC-61000-4-2 — Level (Electrostatic Discharge Immunity Test)

Category	Connection	Specification
Non-operational	Host connector interface	Unless otherwise specified: <ul style="list-style-type: none"> JESD22-A114 \pm 1kV Human Body Model JESD22-A115 \pm 200V Machine Model JESD22-C101 \pm 250V Charged Device Model
Signals	SIM connector	ESD protection is highly recommended at the point where the USIM contacts are exposed, and for any other signals that would be subjected to ESD by the user.
	Other host signals	

1.10. Environmental and Certifications

1.10.1. Environmental Specifications

The environmental specification for both operating and storage conditions are defined in the table below.

Table 5. Environmental Specifications

Conditions	Range
Operating Class A	-30°C to +70°C
Operating Class B	-40°C to +85°C
Storage	-40°C to +85°C

Class A is defined as the operating temperature ranges that the device:

- Shall exhibit normal function during and after environmental exposure.
- Shall meet the minimum requirements of 3GPP or appropriate wireless standards.

Class B is defined as the operating temperature ranges that the device:

- Shall remain fully functional during and after environmental exposure
- Shall exhibit the ability to establish a voice, SMS or DATA call (emergency call) at all times even when one or more environmental constraint exceeds the specified tolerance.
- Unless otherwise stated, full performance should return to normal after the excessive constraint(s) have been removed.

1.10.2. Regulatory

The AirPrime HL8548 and HL8548-G are both compliant with the following regulations:

- R&TTE directive 1999/5/EC
- Japan JRF/JPA
- FCC
- IC

These compliances will be reflected on the AirPrime HL8548 and HL8548-G labels when applicable.

Table 6. Regulation Compliance

Document	Current Version	Title
NAPRD.03	v5.18 or later	Overview of PCS Type certification review board (PTCRB) Mobile Equipment Type Certification and IMEI control
GCF-CC	v3.51.1 or later	GCF Conformance Certification Criteria
TS 51.010-1	V10.0.0 (2012-03)	3rd Generation Partnership Project; Technical Specification Group GSM/EDGE Radio Access Network; Digital cellular telecommunications system (Phase 2+); Mobile Station (MS) conformance specification; Part 1: Conformance specification
TS 51.010-2	V10.0.0 (2012-03)	3rd Generation Partnership Project; Technical Specification Group GSM/EDGE Radio Access Network; Mobile Station (MS) conformance specification; Part 2: Protocol Implementation Conformance Statement (PICS) proforma specification
EN 301511	V9.0.2 (2003-03)	Global System for Mobile Communications (GSM); Harmonized EN for Mobile Stations in the GSM 900 and GSM 1800 Bands Covering Essential Requirements Under Article 3.2 of the R&TTE Directive (1999/5/EC)
EN 301489-1	V1.9.2 (2011-09)	Electromagnetic compatibility and Radio spectrum Matters (ERM); ElectroMagnetic Compatibility (EMC) standard for radio equipment and services; Part 1: Common technical requirements
EN 301489-3	V1.4.1 (2002-08)	Electromagnetic compatibility and Radio spectrum Matters (ERM); ElectroMagnetic Compatibility (EMC) standard for radio equipment and services; Part 3: Specific conditions for Short-Range Devices (SRD) operating on frequencies between 9 kHz and 40 GHz
EN 301489-7	V1.3.1 (2005-11)	Electromagnetic Compatibility and Radio Spectrum Matters (ERM); ElectroMagnetic Compatibility (EMC) Standard for Radio Equipment and Services; Part 7: Specific Conditions for Mobile and Portable Radio and Ancillary Equipment of Digital Cellular Radio Telecommunications Systems (GSM and DCS)
EN 60950-1	NA	IEC 60950-1:2005/A1:2009 EN 60950-1:2006/A11:2009/A1:2010/A12:2011/AC :2011 Information technology equipment – safety- and general requirements
EN 300440-1	v1.6.1 (2012-08)	Electromagnetic compatibility and Radio spectrum Matters (ERM); Short range devices; Radio equipment to be used in the 1 GHz to 40 GHz frequency range; Part 1: Technical characteristics and test methods
EN 300440-2	V1.4.1 (2012-08)	Electromagnetic compatibility and Radio spectrum Matters (ERM); Short range devices; Radio equipment to be used in the 1 GHz to 40 GHz frequency range; Part 2: Harmonized EN under article 3.2 of the R&TTE Directive
FCC Part 22H	NA	Cellular Radiotelephone Service; Subpart H: Cellular Radiotelephone Service
FCC Part 24E	NA	Personal Communications Service; Subpart E: Broadband PCS.
RSS-132	Issue 2:2005	Cellular telephones employing new technologies operating in the 824-849 MHz and 869-894 MHz bands.
RSS-133	Issue 5:2009	2 GHz personal communications services
AS/ACIF S042.1	2008	Requirements for connection to an air interface of a telecommunications network Part 1; General
AS/ACIF S042.3	2005	Requirements for connection to an air interface of a Telecommunications Network - Part 3: GSM Customer Equipment

Document	Current Version	Title
AS/NZS 60950.1	2011	Safety of information technology equipment (IEC 60950-1, Ed.2.0: 2005, MOD)
CCC	NA	China Compulsory Certification

1.10.3. RoHS Directive Compliant

The AirPrime HL8548 and HL8548-G module is compliant with RoHS Directive 2011/65/EU which sets limits for the use of certain restricted hazardous substances. This directive states that “from 1st July 2006, new electrical and electronic equipment put on the market does not contain lead, mercury, cadmium, hexavalent chromium, polybrominated biphenyls (PBB) or polybrominated diphenyl ethers (PBDE)”.

1.10.4. Disposing of the Product

This electronic product is subject to the EU Directive 2012/19/EU for Waste Electrical and Electronic Equipment (WEEE). As such, this product must not be disposed of at a municipal waste collection point. Please refer to local regulations for directions on how to dispose of this product in an environmental friendly manner.



1.11. Conformance with ATEX 94/9/CE Directive

To evaluate the conformity of a product using the AirPrime HL8548 or HL8548-G with ATEX 94/9/CE directive, the integrator must take into account the following data from the AirPrime HL8548 and HL8548-G.

Table 7. Values for ATEX Conformance

Variant	Sum of all Capacitors	Sum of all Inductors	Biggest Single Capacitor	Biggest Single Inductor
HL8548	200 μ F	10 μ H	22 μ F \pm 20%	3.3 μ H \pm 20%
HL8548-G	230 μ F	12 μ H	22 μ F \pm 20%	3.3 μ H \pm 20%

1.12. References

- [1] AirPrime HL Series Customer Process Guidelines
Reference Number: 4114330
- [2] AirPrime HL6 and HL8 Series AT Commands Interface Guide
Reference Number: 4114680
- [3] AirPrime HL Series Development Kit User Guide
Reference Number: 4114877
- [4] “I²C Bus Specification”, Version 2.0, Philips Semiconductor 1998

2. Pad Definition

AirPrime HL8548 and HL8548-G pins are divided into 2 functional categories.

- **Core functions and associated pins** cover all the mandatory features for M2M connectivity and will be available by default across all CF³ family of modules. These Core functions are always available and always at the same physical pin locations. A customer platform using only these functions and associated pins is guaranteed to be forward and/or backward compatible with the next generation of CF³ modules.
- **Extension functions and associated pins** bring additional capabilities to the customer. Whenever an Extension function is available on a module, it is always at the same pin location.

Other pins marked as “not connected” or “reserved” should not be used.

Table 8. Pad Definition

Pin #	Signal Name	Function	I/O	Active Low/High	Reset State*	Power Supply Domain	Recommendation for Unused Pins	Type
1	GPIO1 / I2C_CLK	General purpose input/output / I ² C Clock	I/O		I, T/PU	1.8V	Left Open	Extension
2	UART1_RI	UART1 Ring indicator	O		I, T/PD	1.8V	Left Open	Core
3	UART1_RTS	UART1 Request to send	I	L	I, T/PD	1.8V	Connect to UART1_CTS if using a 2-wire UART; otherwise, leave open	Core
4	UART1_CTS	UART1 Clear to send	O	L	I, T/PD	1.8V	Connect to UART1_RTS if using a 2-wire UART; otherwise, leave open	Core
5	UART1_TX	UART1 Transmit data	I		I, T/PD	1.8V	Mandatory connection if using a 2-wire UART; otherwise, leave open	Core
6	UART1_RX	UART1 Receive data	O		I, T/PD	1.8V	Mandatory connection if using a 2-wire UART; otherwise, leave open	Core

Pin #	Signal Name	Function	I/O	Active Low/High	Reset State*	Power Supply Domain	Recommendation for Unused Pins	Type
7	UART1_DTR	UART1 Data terminal ready	I	L	I, T/PD	1.8V	Connect to UART1_DSR if using a 2-wire UART; otherwise, leave open	Core
8	UART1_DCD	UART1 Data carrier detect	O	L	O, L	1.8V	Left Open	Core
9	UART1_DSR	UART1 Data set ready	O	L	I, T/PD	1.8V	Connect to UART1_DTR if using a 2-wire UART; otherwise, leave open	Core
10	GPIO2	General purpose input/output	I/O		I, T/PD	1.8V	Left Open	Core
11	RESET_IN_N	Input reset signal	I	L	I, T/PU	1.8V	Left Open	Core
12	USB_D-	USB Data Negative (Low / Full Speed)	I/O		T	3.3V	Left Open	Extension
		USB Data Negative (High Speed)			T	0.38V		
13	USB_D+	USB Data Positive (Low / Full Speed)	I/O		T/PD	3.3V	Left Open	Extension
		USB Data Positive (High Speed)			T/PU	0.38V		
14	NC	Not Connected						Not connected
15	NC	Not Connected						Not connected
16	USB_VBUS	USB VBUS	I		I, T/PD	5V	Left Open	Extension
17	NC	Not Connected (Reserved for future use)					Left Open	Not connected
18	NC	Not Connected (Reserved for future use)					Left Open	Not connected
19	NC	Not Connected (Reserved for future use)					Left Open	Not connected
20	NC	Not Connected (Reserved for future use)					Left Open	Not connected
21	BAT_RTC	Power supply for RTC backup	I/O		N/A	1.8V	Left Open	Extension

Pin #	Signal Name	Function	I/O	Active Low/High	Reset State*	Power Supply Domain	Recommendation for Unused Pins	Type
22	26M_CLKOUT	26MHz System Clock Output	O		I, T/PD	1.8V	Left Open	Extension
23	32K_CLKOUT	32.768kHz System Clock Output	O		I, T/PD	1.8V	Left Open	Extension
24	ADC1	Analog to digital conversion	I		N/A	1.2V	Left Open	Extension
25	ADC0	Analog to digital conversion	I		N/A	1.2V	Left Open	Extension
26	UIM1_VCC	1.8V/3V SIM1 Power supply	O		N/A	1.8V/3V	Mandatory connection	Core
27	UIM1_CLK	1.8V/3V SIM1 Clock	O		O, L	1.8V/3V	Mandatory connection	Core
28	UIM1_DATA	1.8V/3V SIM1 Data	I/O		O, L/PD	1.8V/3V	Mandatory connection	Core
29	UIM1_RESET	1.8V/3V SIM1 Reset	O	L	O, L	1.8V/3V	Mandatory connection	Core
30	NC	Not Connected (Reserved for future use)					Left Open	Not connected
31	NC	Not Connected (Reserved for future use)					Left Open	Not connected
32	NC	Not Connected (Reserved for future use)					Left Open	Not connected
33	PCM_OUT	PCM data out	O		I, T/PD	1.8V	Left Open	Extension
34	PCM_IN	PCM data in	I		I, T/PD	1.8V	Left Open	Extension
35	PCM_SYNC	PCM sync out	I/O		I, T/PD	1.8V	Left Open	Extension
36	PCM_CLK	PCM clock	I/O		I, T/PD	1.8V	Left Open	Extension
37	GND	Ground	0V			0V	Left Open; mandatory connection when GPS is in use	Core
38	RF_GPS	RF GNSS input			N/A		Left Open; mandatory connection when GPS is in use	Extension
39	GND	Ground	0V			0V	Left Open; mandatory connection when GPS is in use	Core
40	GPIO7	General purpose input/output	I/O		O, L	1.8V	Left Open	Core

Pin #	Signal Name	Function	I/O	Active Low/High	Reset State*	Power Supply Domain	Recommendation for Unused Pins	Type
41	GPIO8	General purpose input/output	I/O		I, T/PD	1.8V	Left Open	Core
42	PPS	GNSS Pulse Per Second	O		T	1.8V	Left Open	Extension
43	EXT_LNA_GPS_EN	External GNSS LNA enable	O	H	T	1.8V	Left Open	Extension
44	DEBUG_TX	Debug transmit data	O		I, T/PD	1.8V	Connect to test point	Extension
45	VGPI0	GPIO voltage output	O		N/A	1.8V	Left Open	Core
46	GPIO6	General purpose input/output	I/O		O, L	1.8V	Left Open	Core
47	TP1	Test Point 1 0 - Download Mode Open - Normal Mode	I	L	O, L	1.8V	Left Open	Extension
48	GND	Ground				0V	Mandatory connection	Core
49	RF_MAIN	RF GSM input/output			N/A		Mandatory connection	Core
50	GND	Ground				0V	Mandatory connection	Core
51	DEBUG_RX	Debug receive data	I		I, T/PD	1.8V	Connect to test point	Extension
52	GPIO10	General purpose input/output	I/O		I, T/PD	1.8V	Left Open	Extension
53	GPIO11	General purpose input/output	I/O		I, T/PD	1.8V	Left Open	Extension
54	GPIO15	General purpose input/output	I/O		I, T/PD	1.8V	Left Open	Extension
55	NC1	Reserved for future use					Left Open	Not connected
56	NC2	Reserved for future use					Left Open	Not connected
57	PWM1	Pulse Width Modulation	O		I, T/PD	1.8V	Left Open	Extension
58	PWM2 / GPIO12	Pulse Width Modulation / General purpose input/output	I/O		O, L	1.8V	Left Open	Extension
59	PWR_ON_N	Active Low Power On control signal	I	L	I, T/PU	1.8V	Mandatory connection	Core
60	2G_TX_ON	2G TX burst indicator	O	H	I, T/PD	1.8V	Left Open	Extension

Pin #	Signal Name	Function	I/O	Active Low/High	Reset State*	Power Supply Domain	Recommendation for Unused Pins	Type
61	VBATT_PA	Power supply (refer to section 3.1 Power Supply for more information)	I		N/A	3.2V (min) 3.7V (typ) 4.5V (max)	Mandatory connection	Core
62	VBATT_PA	Power supply (refer to section 3.1 Power Supply for more information)	I		N/A	3.2V (min) 3.7V (typ) 4.5V (max)	Mandatory connection	Core
63	VBATT	Power supply	I		N/A	3.2V (min) 3.7V (typ) 4.5V (max)	Mandatory connection	Core
64	GPIO3 / UIM1_DET	General purpose input/output / UIM1 Detection	I/O	H	I, T/PD	1.8V	Left Open	Core
65	GPIO4	General purpose input/output	I/O	H	I, T/PD	1.8V	Left Open	Extension
66	GPIO5 / I2C_SDA	General purpose input/output / I ² C Data	I/O		I, T/PU	1.8V	Left Open	Extension
67-70	GND	Ground	GND			0V		Core
71 - 166	<i>Note: These pins are not available on the AirPrime HL8548 and HL8548-G modules.</i>							
167-234	GND	Ground	GND			0V		Core
236	JTAG_RESET	JTAG RESET	I	L	I, T	1.8V	Left Open	Extension
237	JTAG_TCK	JTAG Test Clock	I		I, PD	1.8V	Left Open	Extension
238	JTAG_TDO	JTAG Test Data Output	O		O, T	1.8V	Left Open	Extension
239	JTAG_TMS	JTAG Test Mode Select	I		I, PU	1.8V	Left Open	Extension
240	JTAG_TRST	JTAG Test Reset	I	L	I, PD	1.8V	Left Open	Extension
241	JTAG_TDI	JTAG Test Data Input	I		I, PU	1.8V	Left Open	Extension
242	JTAG_RTCK	JTAG Returned Test Clock	O		O, L	1.8V	Left Open	Extension

* I = Input, O = Output, PU = Pull up, PD = Pull down, H = High, L = Low, T = High impedance, N/A = Not applicable

2.1. Pin Configuration (Top View, Through Module)

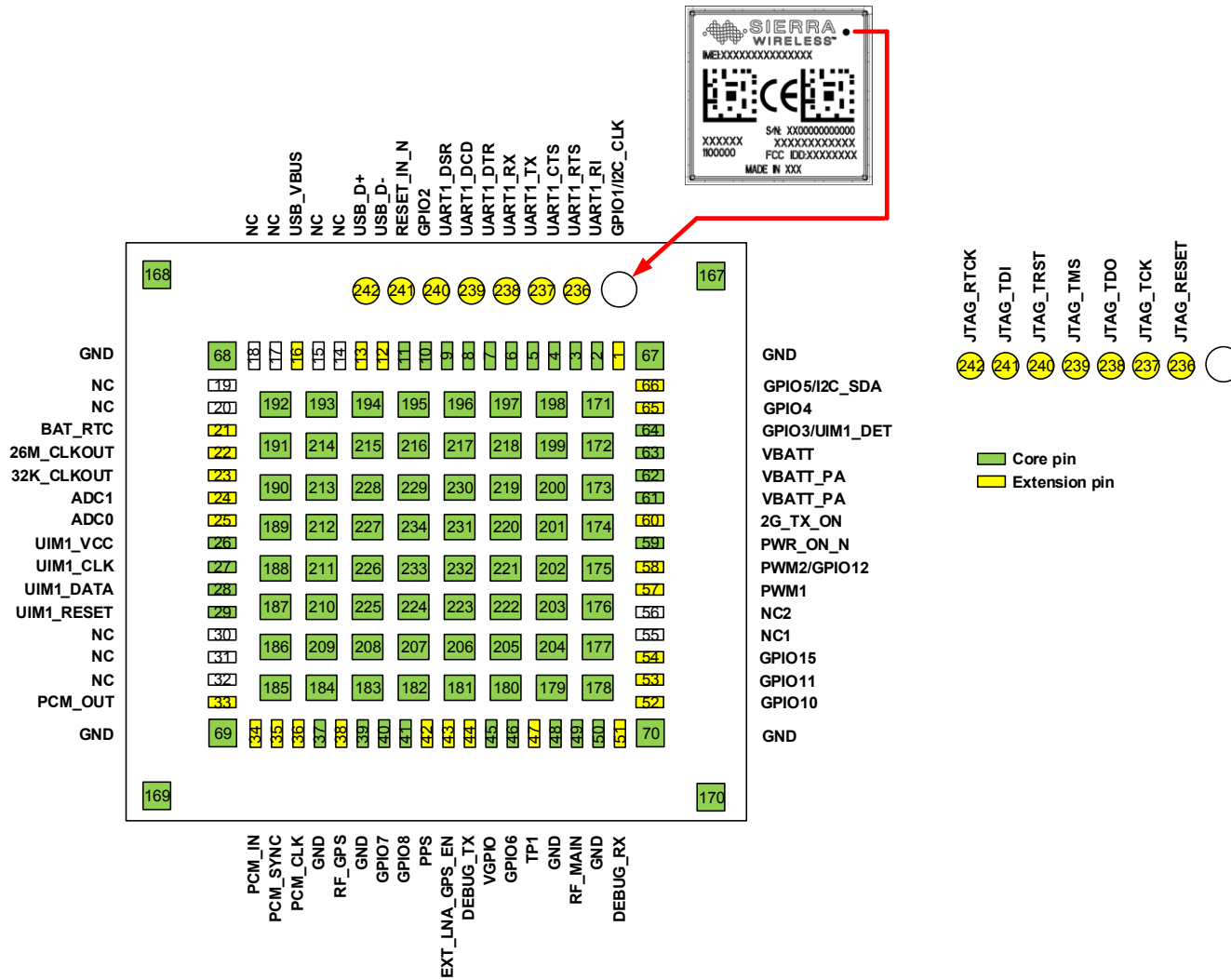


Figure 3. Pin Configuration

3. Detailed Interface Specifications

Note: *If not specified, all electrical values are given for VBATT=3.7V and an operating temperature of 25°C.*

For standard applications, VBATT and VBATT_PA must be tied externally to the same power supply. For some specific applications, AirPrime HL8548 and HL8548-G module supports separate VBATT and VBATT_PA connection if requirements below are fulfilled.

3.1. Power Supply

The AirPrime HL8548 and HL8548-G module is supplied through the VBATT signal with the following characteristics.

Table 9. Power Supply

Supply	Minimum	Typical	Maximum
VBATT voltage (V)	3.2 ¹	3.7	4.5
VBATT_PA voltage (V) Full Specification	3.2 ¹	3.7	4.5
VBATT_PA voltage (V) Extended Range ²	2.8 ²	3.7	4.5

1 This value has to be guaranteed during the burst

2 No guarantee of 3GPP performances over extended range

Note: *Load capacitance for VBATT is around 30µF ± 20% embedded inside the module.
Load capacitance for VBATT_PA is around 20µF ± 20% embedded inside the module.*

3.2. Current Consumption

The following table lists the current consumption of the AirPrime HL8548 and HL8548-G at different conditions.

Note: *The following data is under the setup as recommended in 5.5 Power Supply Design section. The USB is disconnected for the lowest current consumption; additional 0.4mA will be consumed with the USB enabled.*

Typical values are defined for VBATT/VBATT_PA at 3.7V and 25°C, for 50Ω impedance at all RF ports. Maximum values are provided for VSWR 3:1 with worst conditions among supported ranges of voltage and temperature.

Table 10. Current Consumption (at nominal voltage, 3.7V; typical values)

Parameter		Typical	Maximum
Off mode		40 µA	70 µA
Sleep mode - GSM DRX2 (registered to the network)	GSM900	1.9 mA	2.1 mA
	DCS1800	1.7 mA	2.0 mA
	GSM850	1.7 mA	2.0 mA
	PCS1900	1.7 mA	2.0 mA

Parameter		Typical	Maximum
Sleep mode - GSM DRX9 (registered to the network)	GSM900	1.3 mA	1.6 mA
	DCS1800	1.2 mA	1.4 mA
	GSM850	1.2 mA	1.4 mA
	PCS1900	1.1 mA	1.4 mA
Sleep mode - WCDMA DRX8 (registered to the network)	Band 1	1.4 mA	1.5 mA
	Band 2	1.4 mA	1.5 mA
	Band 5 / 6	1.4 mA	1.5 mA
	Band 8	1.4 mA	1.5 mA
WCDMA in communication mode (Voice Call)	Band 1	670 mA	756 mA
	Band 2	579 mA	766 mA
	Band 5 / 6	540 mA	686 mA
	Band 8	594 mA	694 mA
WCDMA in communication mode (HSDPA)	Band 1	716 mA	814 mA
	Band 2	639 mA	817 mA
	Band 5 / 6	630 mA	784 mA
	Band 8	680 mA	798 mA
WCDMA in communication mode (HSUPA)	Band 1	626 mA	877 mA
	Band 2	547 mA	861 mA
	Band 5 / 6	658 mA	818 mA
	Band 8	683 mA	842mA
GSM in communication mode	GSM900 / GSM850 (PCL=5)	245 mA	301 mA
	DCS / PCS (PCL=0)	170 mA	255 mA
GPRS (2 TX,3 RX)	GSM900 / GSM850 (PCL=5)	452 mA	475 mA
	DCS / PCS (PCL=0)	298 mA	387 mA
Peak current consumption	GSM900 / GSM850	1.9 A	2.0 A
	DCS / PCS	1.8 A	1.8 A
GNSS Acquisition ¹ (average, mA) GSM registered on network; RF in Idle Mode		42 mA	46 mA
GNSS Acquisition ¹ (average, mA) GSM in Flight mode; RF in Idle Mode		42 mA	46 mA
GNSS Navigation (1Hz) ¹ (average, mA) GSM registered on network; RF in Idle Mode		35 mA	38 mA
GNSS Navigation (1Hz) ¹ (average, mA) GSM in Flight mode; RF in Idle Mode		34 mA	38 mA
GNSS Hibernate mode ² (average, mA) GSM registered on network; RF in Idle Mode		15 mA	17 mA
GNSS Hibernate mode ² (average, mA) GSM in Flight mode, Baseband in sleep mode		1.1 mA	1.2 mA
GNSS Hibernate mode ² (average, mA) GSM900 Paging 9		1.4 mA	1.5 mA

1 Maximum SVs in view, signal level @-130dBm, high gain configuration

2 Hot start conditions are maintained in Hibernate mode; HL8548x baseband is in Idle mode

Table 11. Current Consumption per Power Supply (VBATT_PA and VBATT; typical values)

Parameters		Typical	
VBATT_PA	Average current GSM in communication mode	E-GSM 900 / GSM 850 (PCL=5)	194 mA
		DCS 1800/ PCS 1900 (PCL=0)	126 mA
	Average current GPRS (2 TX,3 RX)	E-GSM 900 / GSM 850 (PCL=5)	380 mA
		DCS 1800/ PCS 1900 (PCL=0)	236 mA
	Average current WCDMA in communication mode (Voice Call)	Band 1	475 mA
		Band 2	421 mA
		Band 5 / 6	390 mA
		Band 8	416 mA
VBATT	Average current GSM in communication mode	E-GSM 900 / GSM 850 (PCL=5)	41 mA
		DCS 1800/ PCS 1900 (PCL=0)	39 mA
	Average current GPRS (2 TX,3 RX)	E-GSM 900 / GSM 850 (PCL=5)	60 mA
		DCS 1800/ PCS 1900 (PCL=0)	58 mA
	Average current WCDMA in communication mode (Voice Call)	Band 1	128 mA
		Band 2	127 mA
		Band 5 / 6	118 mA
		Band 8	119 mA

3.3. VGPIO

The VGPIO output can be used to:

- Pull-up signals such as I/Os
- Supply the digital transistors driving LEDs
- Act as a voltage reference for the ADC interfaces, ADC0 and ADC1

The VGPIO output is available when the AirPrime HL8548 AND HL8548-G module is switched ON.

Table 12. VGPIO Electrical Characteristics

Parameter	Minimum	Typical	Maximum	Remarks
Voltage level (V)	1.7	1.8	1.9	Both active mode and sleep mode
Current capability (mA)	-	-	50	Power Management support up to 50mA output.
Rise Time(ms)	-	-	1.5	Start-Up time from 0V

3.4. BAT_RTC

The AirPrime HL8548 and HL8548-G module provides an input/output to connect a Real Time Clock power supply.

This pin is used as a back-up power supply for the internal Real Time Clock. The RTC is supported when VBATT is available but a back-up power supply is needed to save date and hour when VBATT is switched off.

If VBATT is available, the back-up battery can be charged by the internal 1.8V power supply regulator.

Table 13. BAT_RTC Electrical Characteristics

Parameter	Minimum	Typical	Maximum	Unit
Input voltage	1.0	1.8	1.9	V
Input current consumption	-	1	-	μA
Output voltage	-5%	1.8	+5%	V
Max charging current (@VBATT=3.7V)	-	25	-	mA

Note: When used with the HL Series snap-in socket, or when compatibility with HL6528x is needed, Sierra Wireless recommends adding a 10μF capacitor to the BAT_RTC pin.

3.5. SIM Interface

The AirPrime HL8548 and HL8548-G has one physical SIM interface, UIM1, which has optional support for dual SIM application with an external SIM switch. Refer to Section 5.8 Dual SIM Application for more information regarding dual SIM.

The UIM1 interface allows control of a 1.8V/3V SIM and is fully compliant with GSM 11.11 recommendations concerning SIM functions.

The five signals used by this interface are as follows:

- UIM1_VCC: power supply
- UIM1_CLK: clock
- UIM1_DATA: I/O port
- UIM1_RST: reset
- UIM1_DET: SIM detection

Table 14. Electrical Characteristics of UIM1

Parameter	Minimum	Typical	Maximum	Remarks
UIM1 Interface Voltage (V) (VCC,CLK,IO,RST)	2.7	3.0	3.15	The appropriate output voltage is auto detected and selected by software.
	1.65	1.80	1.95	
UIM1 Detect	1.33	1.80	2.1	High active
UIM1_VCC Current (mA)	-	-	10	Max output current in sleep mode = 3 mA
UIM1_VCC Line Regulation (mV/V)	-	-	50	At Iout_Max
UIM1_VCC Power-up Setting Time (μs) from power down	-	10	-	

3.5.1. UIM1_DET

UIM1_DET is used to detect and notify the application about the insertion and removal of a SIM device in the SIM socket connected to the main SIM interface (UIM1). When a SIM is inserted, the state of UIM1_DET transitions from logic 0 to logic 1. Inversely, when a SIM is removed, the state of UIM1_DET transitions from logic 1 to logic 0.

Enabling or disabling this SIM detect feature can be done using the `AT+KSIMDET` command. For more information about this command, refer to document [2] AirPrime HL6 and HL8 Series AT Commands Interface Guide.

3.6. USB

The AirPrime HL8548 and HL8548-G have one USB interface.

Table 15. USB Pin Description

Pin Number	Signal Name	I/O	Function
12	USB_D-	I/O	USB Data Negative
13	USB_D+	I/O	USB Data Positive
16	USB_VBUS	I	USB VBUS

Note: When the 5V USB supply is not available, connect USB_VBUS to VBATT to supply the USB interface. For details, refer to document [2] AirPrime HL6 and HL8 Series AT Commands Interface Guide.

Table 16. USB_VBUS Electrical Characteristics

Parameter	Minimum	Typical	Maximum	Unit
Input voltage	4.75	5.0	5.25	V
Input current consumption	-	1	-	μA

Note: USB_VBUS is used for USB connection detection purposes.

Values can be changed using AT commands when USB_VBUS is connected to VBATT. For details, refer to document [2] AirPrime HL6 and HL8 Series AT Commands Interface Guide.

3.7. Electrical Information for Digital I/O

The AirPrime HL8548 and HL8548-G supports three groups of digital interfaces with varying current drain limits. The following list enumerates these interface groupings and Table 17 Digital I/O Electrical Characteristics enumerates the electrical characteristics of each digital interface.

- Group 1 (8mA current drain limit)
 - UART
 - GPIOs
 - JTAG
 - RESET
 - PWM

- Group 2 (5mA current drain limit)
 - PCM
- Group 3 (1mA current drain limit)
 - I²C

Table 17. Digital I/O Electrical Characteristics

Parameter		Minimum	Typical	Maximum	Remarks
Input Current-High(μ A)		-	-	125	
Input Current-Low(μ A)		-	-	125	
Group 1	DC Output Current-High (mA)	-	-	8	
	DC Output Current-Low (mA)	-8	-	-	
Group 2	DC Output Current-High (mA)	-	-	5	
	DC Output Current-Low (mA)	-5	-	-	
Group 3	DC Output Current-High (mA)	-	-	1	
	DC Output Current-Low (mA)	-1	-	-	
Input Voltage-High(V)		1.33		2.1	
Input Voltage-Low(V)		-	-	0.34	
Output Voltage-High(V)		1.5	-	1.9	
Output Voltage-Low(V)		-	-	0.2	

3.8. General Purpose Input/Output (GPIO)

The AirPrime HL8548 and HL8548-G modules provide 12 GPIOs, 4 of which have multiplexes.

Table 18. GPIO Pin Description

Pin Number	Signal Name	Multiplex	I/O	Power Supply Domain
1	GPIO1	I2C_CLK	I/O	1.8V
10	GPIO2		I/O	1.8V
40	GPIO7		I/O	1.8V
41	GPIO8		I/O	1.8V
46	GPIO6		I/O	1.8V
52	GPIO10		I/O	1.8V
53	GPIO11		I/O	1.8V
54	GPIO15		I/O	1.8V
58	GPIO12	PWM2	I/O	1.8V
64	GPIO3	UIM1_DET	I/O	1.8V
65	GPIO4		I/O	1.8V
66	GPIO5	I2C_SDA	I/O	1.8V

3.9. Main Serial Link (UART1)

The main serial link (UART1) is used for communication between the AirPrime HL8548 and HL8548-G module and a PC or host processor. It consists of a flexible 8-wire serial interface that complies with RS-232 interface.

The supported baud rates of the UART1 are 300, 1200, 2400, 4800, 9600, 19200, 38400, 57600, 115200, 230400, 460800, 500000, 750000, 921600, 1843200, 3000000, 3250000 and 6000000 bit/s.

The signals used by UART1 are as follows:

- TX data (UART1_TX)
- RX data (UART1_RX)
- Request To Send (UART1_RTS)
- Clear To Send (UART1_CTS)
- Data Terminal Ready (UART1_DTR)
- Data Set Ready (UART1_DSR)
- Data Carrier Detect (UART1_DCD)
- Ring Indicator (UART1_RI)

Note: Signal names are according to PC view.

UART1 pin description is summarized in the table below.

Table 19. UART1 Pin Description

Pin #	Signal Name*	I/O*	Description
2	UART1_RI	O	Signal incoming calls (voice and data), SMS, etc.
3	UART1_RTS	I	Wakes the module up when KSLEEP=1 is used
4	UART1_CTS	O	AirPrime HL8548 and HL8548-G is ready to receive AT commands
5	UART1_TX	I	Transmit data
6	UART1_RX	O	Receive data
7	UART1_DTR	I (active low)	Prevents the AirPrime HL8548 and HL8548-G from entering sleep mode, switches between data mode and command mode, and wakes the module up.
8	UART1_DCD	O	Signal data connection in progress
9	UART1_DSR	O	Signal UART interface is ON

* According to PC view.

Note: UART1 signal pins are internally pulled up by an 8kΩ resistor when the module is ON.

3.9.1. 8-wire Application

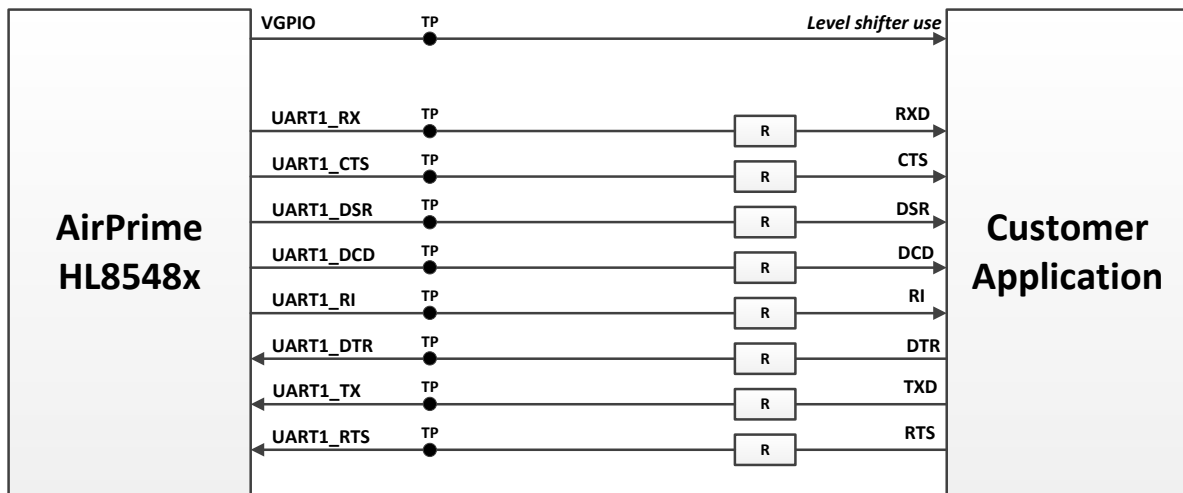


Figure 4. 8-wire UART Application Example

3.9.2. 4-wire Application

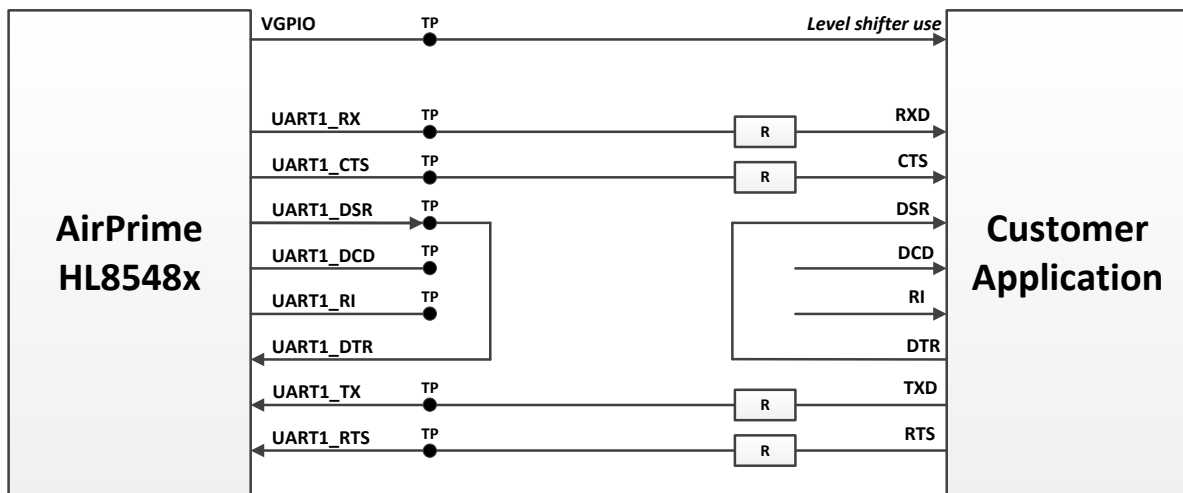


Figure 5. 4-wire UART Application Example

3.9.3. 2-wire Application

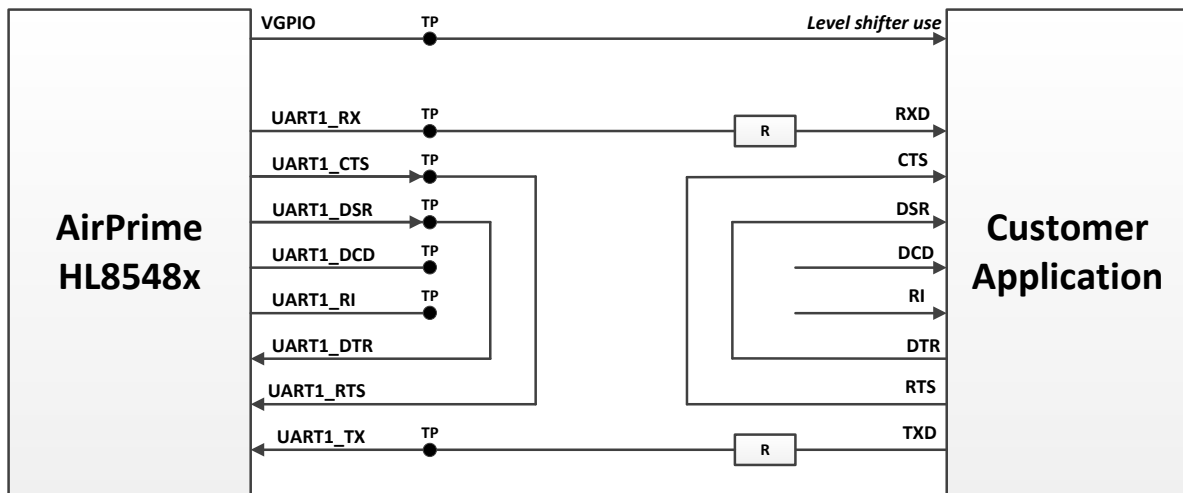


Figure 6. 2-wire UART Application Example

3.10. POWER ON Signal (PWR_ON_N)

A low level signal has to be provided to switch the AirPrime HL8548 and HL8548-G module ON.

It is internally connected to the permanent 1.8V supply regulator inside the HL8548 and HL8548-G via a pull-up resistor. Once VBAT is supplied to the HL8548 and HL8548-G module, this 1.8V supply regulator will be enabled and so the PWR_ON_N signal is by default at high level.

The PWR_ON_N signal’s characteristics are listed in the table below.

Table 20. PWR_ON_N Electrical Characteristics

Parameter	Minimum	Typical	Maximum
Input Voltage-Low (V)		-	0.51
Input Voltage-High (V)	1.33	-	2.2
Power-up period (ms) from PWR_ON_N falling edge	2000	-	-
PWR_ON_N assertion time (ms)	25		

Note: As PWR_ON_N is internally pulled up with 200kΩ, a simple open collector or open drain transistor must be used for ignition.

The software starts operating when the module is ON, but “AT Command Ready” will depend on whether UART or USB is used.

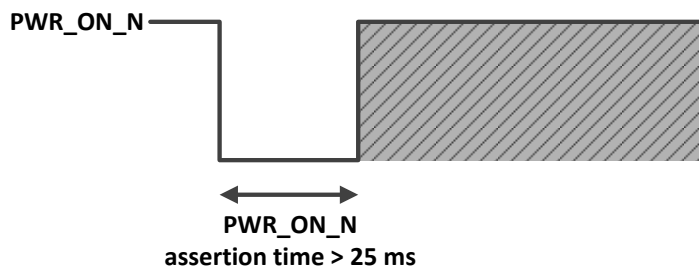


Figure 7. PWR_ON_N Assertion Time

VGPIO is an output from the module that can be used to check if the module is active.

- When VGPIO = 0V, the module is OFF.
- When VGPIO = 1.8V, the module is ON (it can be in idle, communication or sleep mode)

Note: *PWR_ON_N cannot be used to power the module off. To power the module off, use AT command AT+CPOF.*

3.11. Reset Signal (RESET_IN_N)

To reset the module, a low level pulse must be sent on the RESET_IN_N pin for 10ms. This action will immediately restart the AirPrime HL8548 and HL8548-G module with the PWR_ON_N signal at low level. (If the PWR_ON_N signal is at high level, the module will be powered off.) As RESET_IN_N is internally pulled up, a simple open collector or open drain transistor can be used to control it.

The RESET_IN_N signal will reset the registers of the CPU and reset the RAM memory as well, for the next power on.

Note: *As RESET_IN_N is referenced to the VGPIO domain (internally to the module), it is impossible to reset before the module starts or to try to use RESET_IN_N as a way to start the module.*

Another more costly solution would be to use MOS transistor to switch the power supply off and restart the power up procedure using the PWR_ON_N input line.

Table 21. RESET_IN_N Electrical Characteristics

Parameter	Minimum	Typical	Maximum
Input Voltage-Low (V)		-	0.51
Input Voltage-High (V)	1.33	-	2.2
Power-up period (ms) from RESET_IN_N falling edge*	2000	-	-

* With the PWR_ON_N Signal at low level

3.12. ADC

Two Analog to Digital Converter inputs, ADC0 and ADC1, are provided by the AirPrime HL8548 and HL8548-G module. These converters are 10-bit resolution ADCs ranging from 0 to 1.2V.

Typically, the ADCx input can be used to monitor external temperature. This is very useful for monitoring the application temperature and can be used as an indicator to safely power the application OFF in case of overheating (for Li-Ion batteries).

Both ADCs have the characteristics listed in the table below.

Table 22. ADC Electrical Characteristics

Parameter	Minimum	Typical	Maximum	Remarks
ADC Resolution (bits)	-	10	-	
Input Voltage Range (V)	0	-	1.2	General purpose input
Update rate per channel (kHz)	-	-	125	
Integral Nonlinearity (bits)	-	-	±2	LSB
Offset Error (bits)	-	-	±1	LSB
Gain	849	853	858	

Parameter	Minimum	Typical	Maximum	Remarks
Input Resistance (MΩ)	1	-	-	
Input Capacitance (pF)	-	1	-	

3.13. PWM

The AirPrime HL8548 and HL8548-G modules provide two PWM signals that can be used in conjunction with an external transistor for driving a vibrator, or a backlight LED.

Each PWM uses two 7-bit unsigned binary numbers: one for the output period and one for the pulse width or the duty cycle.

The relative timing for the PWM output is shown in the figure below.

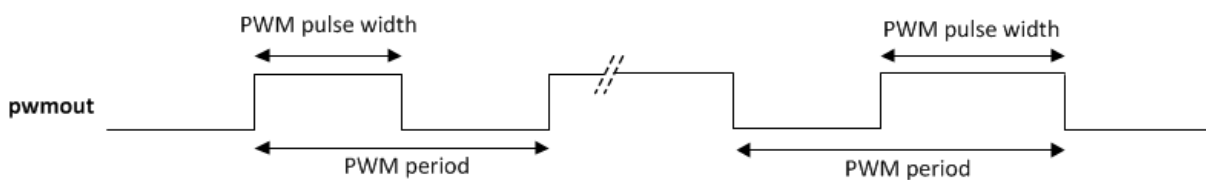


Figure 8. Relative Timing for the PWM Output

3.13.1. Electrical Characteristics

The following table describes the electrical characteristics of the PWM interface.

Table 23. PWM Electrical Characteristics

Parameter	Conditions	Minimum	Typical	Maximum	Unit
V _{OH}	High impedance load	--	1.8	-	V
V _{OL}	-	-	-	0.2	V
I _{PEAK}	-	-	-	8	mA
Frequency	-	25.6	-	1625	kHz
Duty cycle	-	1	-	99	%

3.13.2. Pin Description

The following table describes the pin description of the PWM interface.

Table 24. PWM Pin Description

Pin Number	Signal Name	I/O	I/O Type	Description
57	PWM1	I/O	1.8V	PWM output
58	PWM2	I/O	1.8V	PWM output multiplexed with GPIO12

3.13.3. Application

Both PWM1 and PWM2 signals can be used in conjunction with an external transistor for driving a vibrator, or a backlight LED.

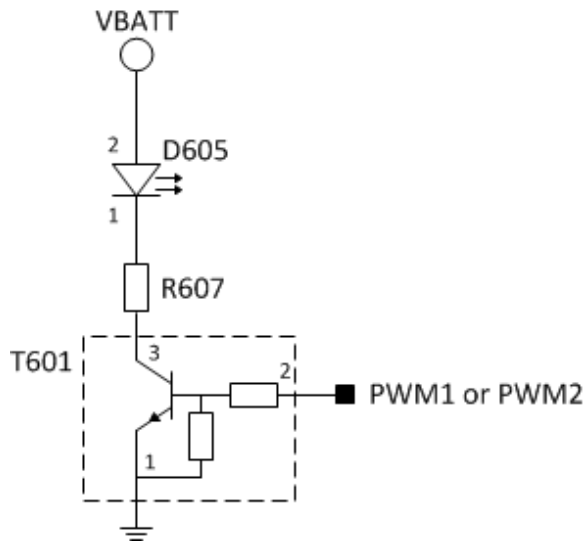


Figure 9. Example of an LED Driven by either the PWM1 or PWM2 Output

The value of R607 can be harmonized depending on the LED (D605) characteristics.

The recommended digital transistor to use for T601 is the DTC144EE from ROHM.

3.14. Clock Interface

The AirPrime HL8548 and HL8548-G modules support two digital clock interfaces.

The following table describes the pin description of the clock out interfaces.

Table 25. Clock Interface Pin Description

Pin Number	Signal Name	I/O	I/O Type	Description
22	26M_CLKOUT	O	1.8V	26MHz Digital Clock output
23	32K_CLKOUT	O	1.8V	32.768kHz Digital Clock output

Enabling or disabling the clock out feature can be done using AT commands. For more information about AT commands, refer to document [2] AirPrime HL6 and HL8 Series AT Commands Interface Guide.

3.15. PCM

The Digital Audio (PCM) Interface allows connectivity with standard audio peripherals. It can be used, for example, to connect an external audio codec.

The programmability of this interface allows addressing a large range of audio peripherals.

The signals used by the Digital Audio Interface are as follows:

- PCM_SYNC: The frame synchronization signal delivers an 8 kHz frequency pulse that synchronizes the frame data in and the frame data out.
- PCM_CLK: The frame bit clock signal controls data transfer with the audio peripheral.
- PCM_OUT: The frame “data out” relies on the selected configuration mode.
- PCM_IN: The frame “data in” relies on the selected configuration mode.

The PCM interface is a high speed full duplex interface that can be used to send and receive digital audio data to external audio ICs. The Digital Audio Interface also features the following:

- PCM master or slave
- 16 bits data word length, linear mode
- MSB first
- Configurable PCM bit clock rate on 256kHz, 384kHz or 512kHz
- Long frame sync

Refer to the following table for the electrical characteristics of the digital audio interface.

Table 26. Digital Audio Electrical Characteristics

Signal	Description	Minimum	Typical	Maximum	Unit
Tsync_low + Tsync_high	PCM-SYNC period		125		µs
Tsync_low	PCM-SYNC low time		62.5		µs
Tsync_high	PCM-SYNC high time		62.5		µs
TCLK-cycle	PCM-CLK period (T)	1.95	2.6	3.9	µs
TIN-setup	PCM-IN setup time	59.6			ns
TIN-hold	PCM-IN hold time	12			ns
TOUT-delay	PCM-OUT delay time			21.6	ns
TSYNC-delay	PCM-SYNC output delay	-24		31.2	ns

The following figure shows the PCM timing waveform.

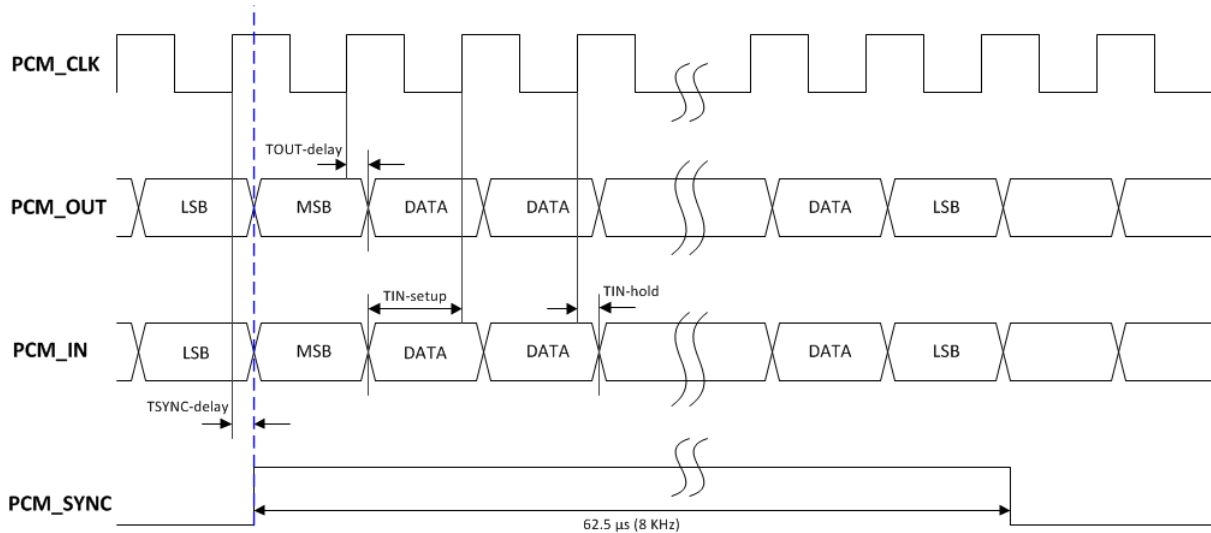


Figure 10. PCM Timing Waveform

3.16. I²C Interface

NMEA frames can be output from USB, UART1 or through a dedicated serial port (I²C).

The I²C bus is always in master mode operation, and the speed transfer is 400Kbit/s (fast mode: f-mode).

For more information on the I²C bus, see document [4] "I²C Bus Specification", Version 2.0, Philips Semiconductor 1998.

3.16.1. I²C Waveforms

The figure below shows the I²C bus waveform in master mode configuration.

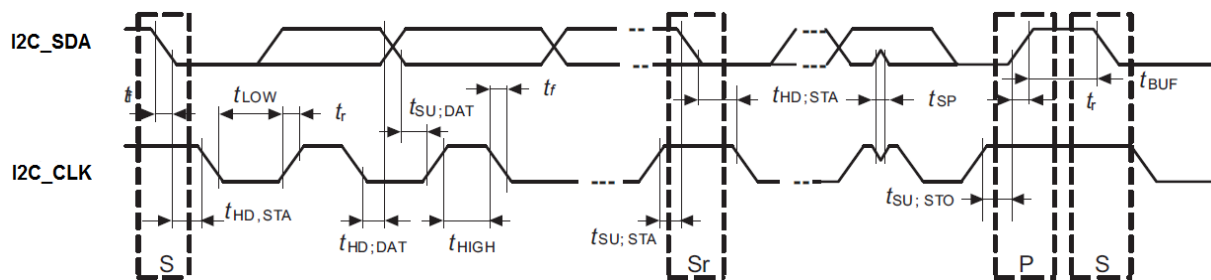


Figure 11. I²C Timing Diagram (Master Mode)

3.16.2. I²C Electrical Characteristics

Table 27. I²C Electrical Characteristics

Signal	Description	Minimum	Typical	Maximum	Unit
I2C_CLK frequency	I ² C clock frequency	0	-	0.4	MHz
t _{HD; STA}	Hold time START condition	0.6	-	-	μs

Signal	Description	Minimum	Typical	Maximum	Unit
t _{LOW}	Low period for clock	1.3	-	-	μs
t _{HD; DAT}	Data hold time	0	-	0.9	μs
t _{SU; DAT}	Data setup time	100	-	-	ns
t _{HIGH}	High period for clock	0.6	-	-	μs
t _{SU; STA}	Setup time repeated START condition	0.6	-	-	μs
t _{HD; STA}	Hold time START condition	0.6	-	-	μs
t _{SU; STO}	Setup time STOP condition	0.6	-	-	μs
t _{BUF}	Bus free time, STOP to START	1.3	-	-	μs

3.16.3. I²C Pin Description

Table 28. I²C Pin Description

Pin Number	Signal Name	Function
1	I2C_CLK	I ² C Clock
66	I2C_SDA	I ² C Data

Note: I²C pins are multiplexed with GPIO features and are internally pulled to VGPI0 with 4.7kΩ.

3.17. Debug Interfaces

The AirPrime HL8548 and HL8548-G module provides 2 interfaces for a powerful debug system.

3.17.1. Debug Port

The AirPrime HL8548 and HL8548-G provides a 2-wire debug port interface, providing real-time instruction and data trace of the Modem Core.

Table 29. SW Trace Pin Description

Pin Number	Signal Name*	I/O*	Function
44	DEBUG_TX	O	Debug Transmit Data
51	DEBUG_RX	I	Debug Receive Data

* According to module view.

Note: It is strongly recommended to provide access through Test Points to this interface.

3.17.2. JTAG

The JTAG interface provides debug access to the core of the HL8548 and HL8548-G. These JTAG signals are accessible through solder-able test points.

Table 30. JTAG Pin Description

Pin Number	Signal Name	Function
47	TP1	Test Point 1
236	JTAG_RESET	JTAG RESET
237	JTAG_TCK	JTAG Test Clock
238	JTAG_TDO	JTAG Test Data Output
239	JTAG_TMS	JTAG Test Mode Select
240	JTAG_TRST	JTAG Test Reset
241	JTAG_TDI	JTAG Test Data Input
242	JTAG_RTCK	JTAG Returned Test Clock

Note: It is recommended to provide access through Test Points to this interface (for Failure Analysis debugging). All signals listed in table above shall be outputs on the customer board to allow JTAG debugging.

3.18. PPS (HL8548-G Only)

The PPS signal is an output pulse related to GNSS receiver time.

Table 31. PPS Electrical Characteristics

Parameter	Minimum	Typical	Maximum	Test Conditions
Frequency		1Hz		
Pulse width (high)		250ms		
Pulse width (low)		750ms		
Synchronization to GNSS time			1µs	

Note: The PPS signal will only provide a pulse output once GNSS acquisition reaches sufficient accuracy to provide a reliable period. Specifically, this signal requires a GNSS fix to be obtained. Otherwise, no signal will be output at the PPS pin.

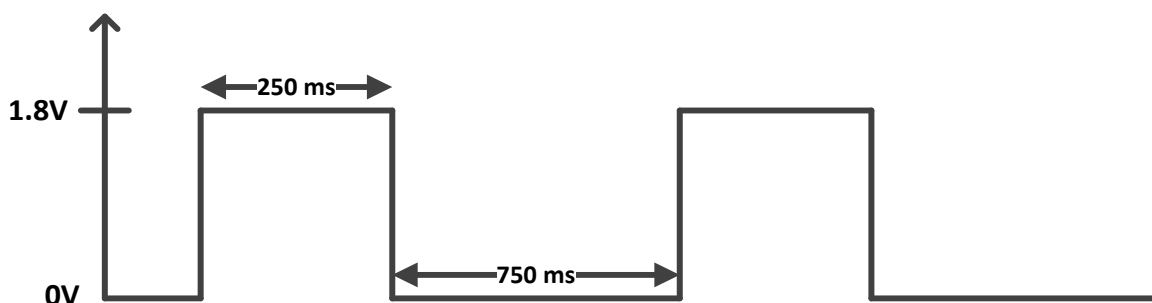


Figure 12. PPS Signal

3.19. EXT_LNA_GPS_EN (HL8548-G only)

EXT_LNA_GPS_EN ON indicates whether the GNSS receiver is active and can be used to enable an external LNA (or active antenna), especially during GNSS low power mode.

3.20. RF Interface

The GSM RF interface of the HL8548 and HL8548-G module allows the transmission of RF signals. This interface has a 50Ω nominal impedance.

3.20.1. RF Connection

A 50Ω (with maximum VSWR 1.1:1, and 0.5dB loss) RF track is recommended to be connected to standard RF connectors such as SMA, UFL, etc. for antenna connection.

Table 32. RF Connection

RF Signal	Impedance	VSWR Rx (max)	VSWR Tx (max)
RF_MAIN	50Ω	3:1	3:1

3.20.2. RF Performances

RF performances are compliant with the ETSI recommendation GSM 05.05.

Table 33. RF Performance

Frequency Band	Typical Sensitivity (dBm)
GSM850/EGSM	-109
DCS/PCS	-108
UMTS B1	-110
UMTS B2	-110
UMTS B5/6	-110
UMTS B8	-110

3.20.3. TX Burst Indicator (2G_TX_ON)

The AirPrime HL8548 and HL8548-G module provides a signal, 2G_TX_ON, for TX Burst indication. The 2G_TX_ON is a 1.8V signal and its status signal depends on the module transmitter state.

Refer to the following table for the status of the 2G_TX_ON signal depending on the embedded module's state.

Table 34. Burst Indicator States

Embedded Module State	2G_TX_ON
During TX burst	High
No TX	Low

During TX burst, there is a higher current drain from the VBATT_PA power supply which causes a voltage drop. This voltage drop from VBATT_PA is a good indication of a high current drain situation during TX burst.

The blinking frequency is about 217Hz.

The output logic high duration, $T_{duration}$, depends on the number of TX slots and is computed as follows:

$$T_{duration} = T_{advance} + (0.577ms \times \text{number of TX slots}) + T_{delay}$$

Table 35. TX Burst Characteristics

Parameter	Minimum	Typical	Maximum
Tadvance	30µs		
Tdelay	5µs		

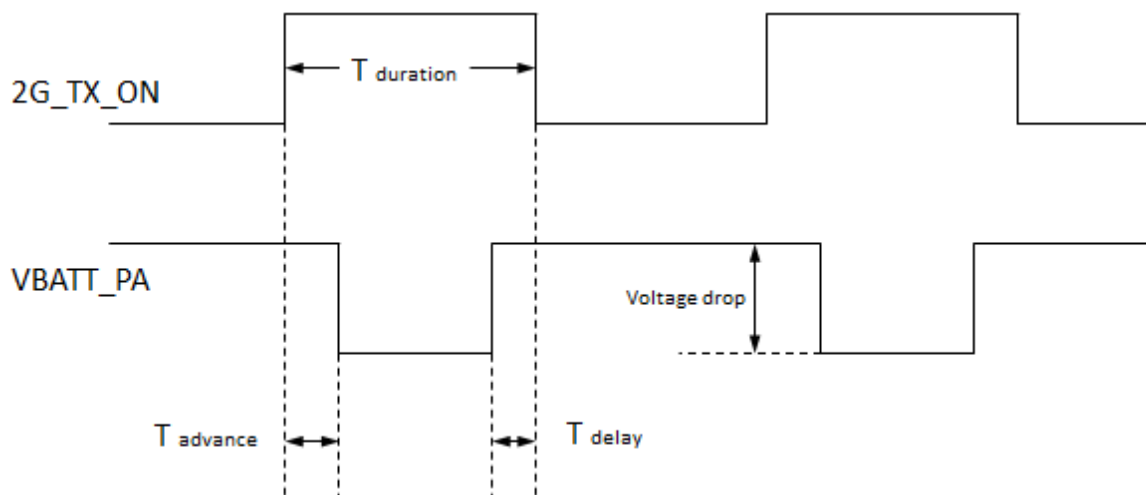


Figure 13. 2G_TX_ON State during TX Burst

3.21. GNSS Interface

The AirPrime HL8548-G embeds an integrated and high-sensitivity Global Navigation Satellite System (GNSS) solution.

Based on SiRFstarV™ from CSR, the HL8548-G combines GPS and GLONASS reception to improve navigation capabilities and position accuracy in obstructed view environments such as urban canyons. GNSS performances are improved by CW jammer and interference mitigation system and automated hardware blanking capabilities.

In addition, it supports Control Plane Assisted GPS and Secure User Plane Location (SUPL) protocol to reduce the time to first fix in the presence of assistance information from wireless networks.

The operation of GNSS is offloaded to a GNSS standalone solution to guaranty the modem resources availability for the best performances.

The GNSS implementation supports GPS L1 signal (1575.42 ± 20 MHz) and GLONASS L1 FDMA signals for frequency -7 to 6 (1597.5 – 1605.8 MHz), with 50Ω connection on RF_GPS pad.

3.21.1. GNSS Performances

Table 36. GNSS Interface Specifications

Test	Parameters	Typical Value	
Sensitivity	GPS Autonomous Acquisition without LNA (dBm); Cold start conditions	-146	
	GPS Autonomous Acquisition without LNA (dBm); Warm start conditions	-146	
	GPS Autonomous Acquisition without LNA (dBm); Hot start conditions	-160	
	GPS Navigation without LNA (dBm)	-160	
	GLONASS Navigation (dBm)	-156	
	GNSS Navigation (dBm)	-158	
	GPS Tracking (dBm)	-164	
	GLONASS Tracking (dBm)	-164	
Autonomous Cold Start	Time To First Fix (s)	50%	28
		95%	40
	2D Position Error (m)	50%	1
		95%	2
Autonomous Warm Start	Time To First Fix (s)	50%	20
		95%	35
	2D Position Error (m)	50%	3.6
		95%	8
Autonomous Hot Start	Time To First Fix (s)	50%	0.7
		95%	1
	2D Position Error (m)	50%	5.5
		95%	10
Aiding Warm Start	Time To First Fix (s)	50%	TBD
		95%	TBD
	2D Position Error (m)	50%	TBD
		95%	TBD

Note: Values in the table above are based on static conditions, RF GNSS level @-130dBm. Cold start does not include internal GNSS firmware download on first GNSS start.

3.21.2. GNSS Antenna Interface

Specifications for the GNSS antenna interface are defined in the table below.

Table 37. GNSS Antenna Specifications

Characteristics	GNSS	
Frequency (MHz)	GPS L1	1575.42±20
	GLONASS L1 FDMA	1597.5-1605.8
RF Impedance (Ω)	50	
VSWR max	2:1	

The minimum isolation between GNSS and GSM antennas should be 20dB.

3.21.3. GNSS Antenna Recommendations

Both passive and active antennas are supported by the AirPrime HL8548-G module.

The table below describes the expected performance function as input signal power.

Table 38. GNSS Antenna Recommendations

GNSS Signal Level Description	Input Signal Power (dBm)	Expected Performances
Absolute maximum	-110	Maximum to input level
Good	>-134	Best performance in TTFF and position accuracy, allow to enter low power modes
Acceptable	>-147	Minimum input level to allow initial acquisition without aiding
Poor	<-147	No signal acquisition without aiding
Minimum usable signal	-161	Below this level, no fix with reasonable error
Minimum tracking level	-165	Minimum level to lock the signal for fast recovery when the signal returns to the minimum usable level

For passive antennas, the internal LNA should be set to high gain mode. When configured in high gain mode, the noise figure of the HL8548-G's GNSS input is 3 dB.

For active antennas, the configuration of the internal LNA gain is dependent on external RF chain implementation, especially for the external net gain (i.e. gain from the antenna input to the module input including LNA gain minus cable losses).

The internal LNA gain should be set to low gain if the external net gain is higher than 8 dB. When configured in low gain mode, the noise figure of the HL8548-G's GNSS input is 7 dB.

The external net gain should never exceed 22 dB.

If the external net gain is lower than 8 dB, it is recommended that the internal LNA gain be set to high gain mode.

These limits have been determined for active antennas with noise figures lower than 3 dB.

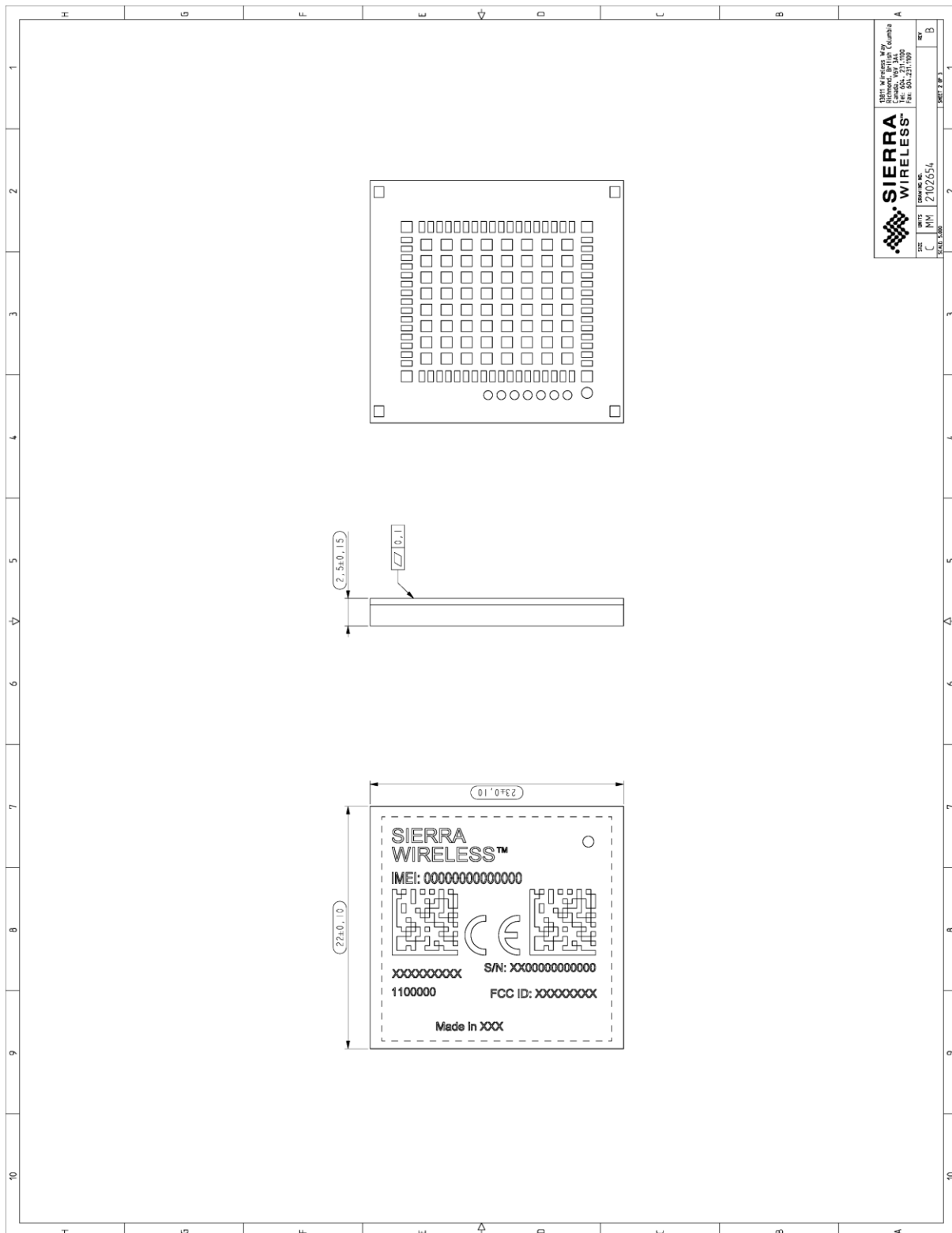


Figure 15. Dimensions Drawing

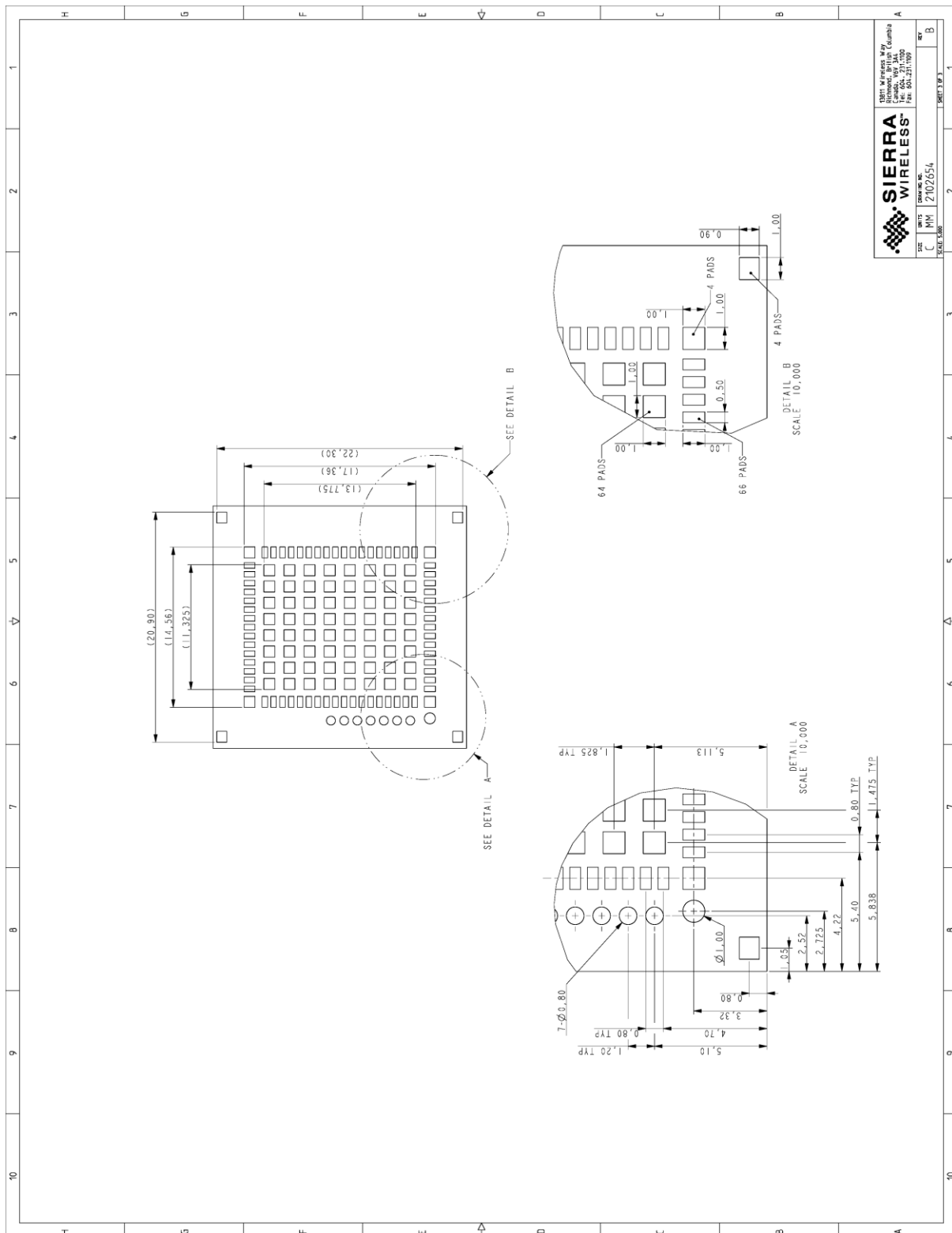


Figure 16. Footprint

>> 5. Design Guidelines

5.1. Power-Up Sequence

Apply a LOW level logic to the PWR_ON_N pin (pin 59); within 25ms, VGPIO will appear to be at 1.8V. Either a USB or UART1 interface could be used to send AT commands. Note that for USB connections, the time when AT commands can be sent will depend on the initialization time used for the USB connection with the USB host.

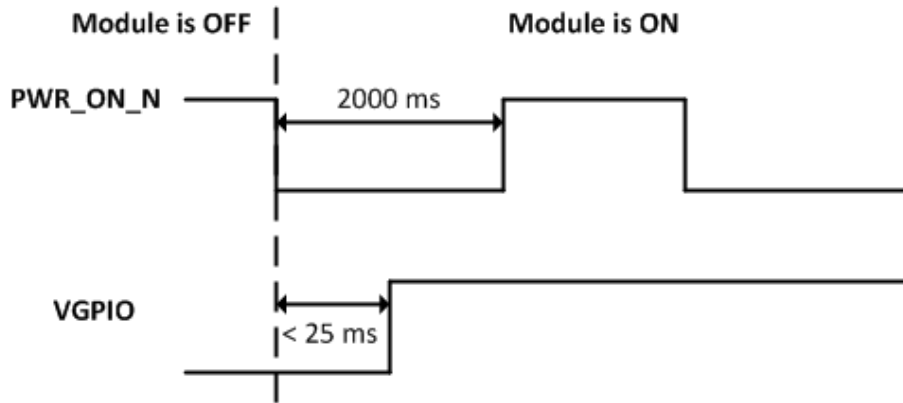


Figure 17. PWR_ON_N Sequence with VGPIO Information

Note: As PWR_ON_N is internally pulled up with 200k Ω , a simple open collector or open drain transistor must be used for ignition.

The PWR_ON_N pin has the minimum assertion time requirement of 25ms, with LOW active. Once the valid power on trigger is detected, the PWR_ON_N pin status can be left open.

VBATT has to ramp up within 32 ms to reach the value of 3.2V; otherwise, the module may not power up.

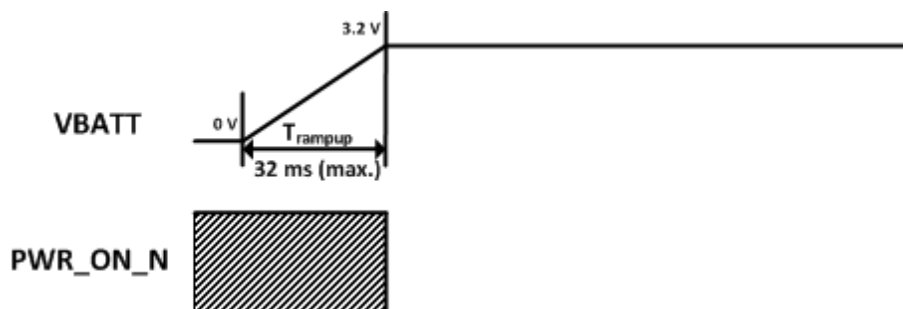


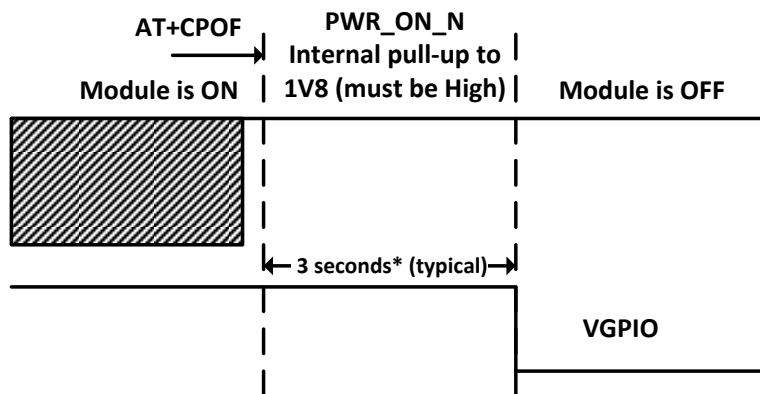
Figure 18. PWR_ON_N Sequence with T_{rampup}

5.2. Module Switch-Off

AT command `AT+CPOF` enables the user to properly switch the AirPrime HL8548 and HL8548-G module off. The PWR_ON_N signal must be set to high (inactive) before the `AT+CPOF` command is sent.

Note: If the PWR_ON_N signal is active (low level) when the `AT+CPOF` command is sent, the module will not power off.

If required, the module can be switched off by controlling the power supply. This can be used, for example, when the system freezes and no reset line is connected to the AirPrime HL8548 and HL8548-G module. In this case, the only way to get control over the module back is to switch off the power line.



* Timing varies depending on the software running and the registered network.

Figure 19. Power OFF Sequence for PWR_ON_N, VGPIO

Note: PWR_ON_N is internally pulled up by 200kΩ to 1.8V.

Caution: Ensure that no external pull-ups are applied on IO pins while the module is OFF.

5.3. Emergency Power OFF

If required, the module can be switched off by controlling the RESET_IN_N pin (pin 11). This must only be used in emergency situations if the system freezes (not responding to AT commands).

To perform an emergency power off, a low level pulse must be sent on the RESET_IN_N pin for 10ms while the PWR_ON_N signal is inactive (high level). This action will immediately shut the HL8548x module down and the registers of the CPU and RAM memory will be reset for the next power on.

5.4. Sleep Mode Management

5.4.1. Using UART

AT command **AT+KSLEEP** enables sleep mode configuration.

AT+KSLEEP=0:

- The AirPrime HL8548 and HL8548-G module is active when DTR signal is active (low electrical level).
- When DTR is deactivated (high electrical level), the AirPrime HL8548 and HL8548-G module enters sleep mode after a while.
- On DTR activation (low electrical level), the AirPrime HL8548 and HL8548-G module wakes up.

AT+KSLEEP=1: The AirPrime HL8548 and HL8548-G module determines when it enters sleep mode (when no more tasks are running).

AT+KSLEEP=2: The AirPrime HL8548 and HL8548-G module never enters sleep mode.

5.4.2. Using USB

Use `AT+KSLEEP=1` to allow the module to automatically enter sleep mode while the USB interface is in use.

5.5. Power Supply Design

The AirPrime HL8548x module should not be supplied with voltage over 4.5V even temporarily or however briefly.

If the system's main board power supply unit is unstable or if the system's main board is supplied with over 4.5V, even in the case of transient voltage presence on the circuit, the HL8548x's power amplifier and GPS chipset may be severely damaged.

To avoid such issues, add a voltage limiter to the module's power supply lines so that VBATT and VBATT_PA signal pads will never receive a voltage surge over 4.5V. The voltage limiter can be as simple as a Zener diode with decoupling capacitors as shown in the diagram below.

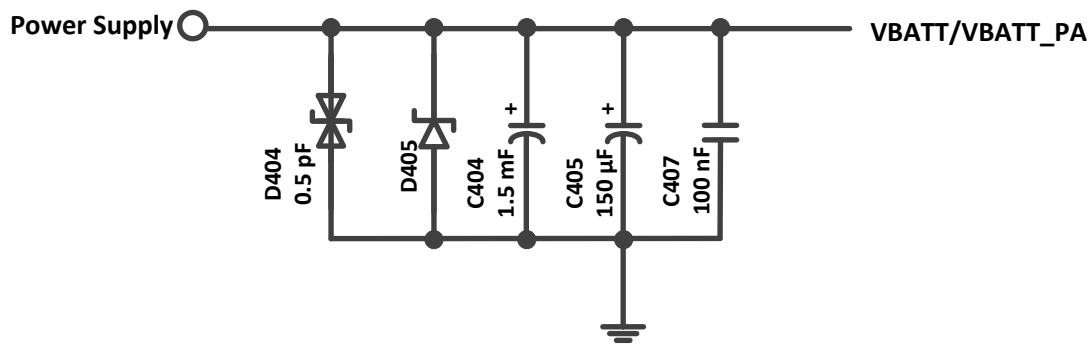


Figure 20. Voltage Limiter Example

5.6. ESD Guidelines for SIM Card

Decoupling capacitors must be added as close as possible to the SIM card connectors on UIM1_CLK, UIM1_RST, UIM1_VCC and UIM1_DATA signals to avoid EMC issues and to pass the SIM card type approval tests, according to the drawings below.

A typical schematic for hardware SIM detection is provided below.

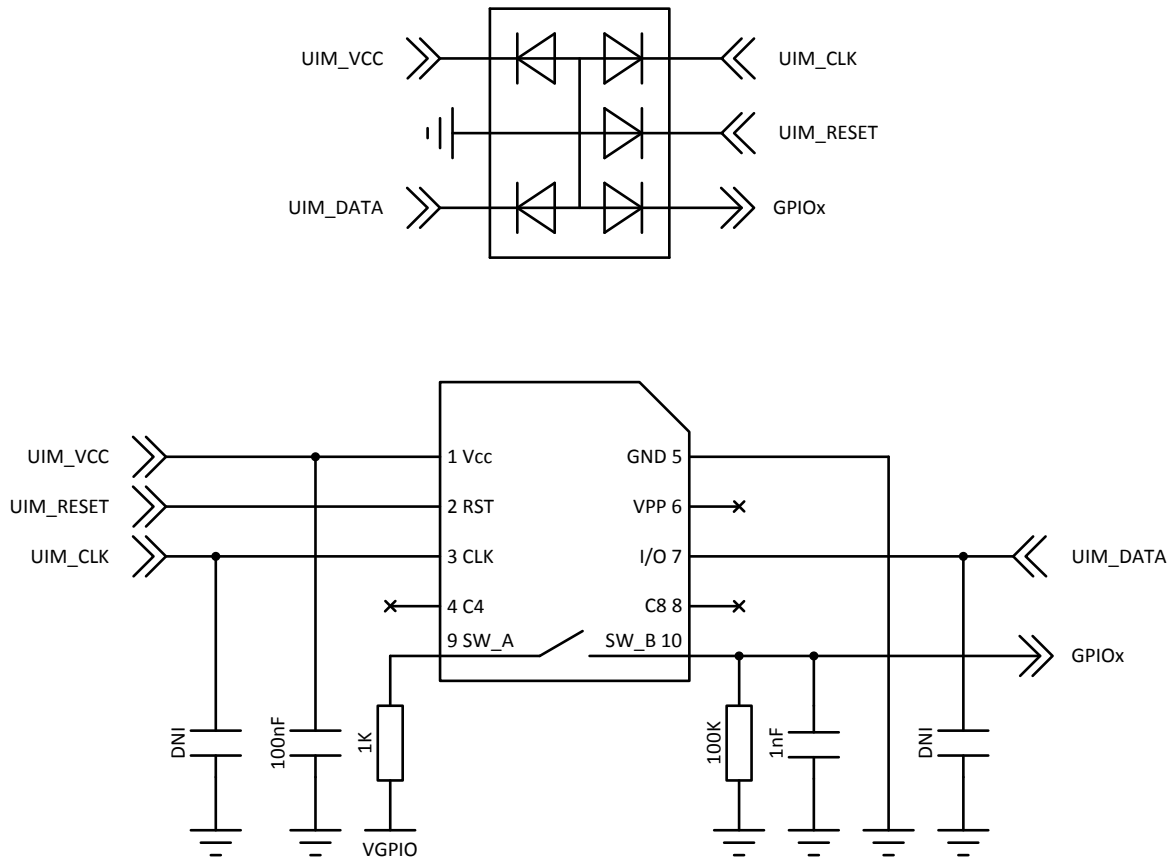


Figure 21. EMC and ESD Components Close to the SIM

5.7. ESD Guidelines for USB

When the USB interface is externally accessible, it is required to have ESD protection on the USB_VBUS, USB_D+ and USB_D- signals.

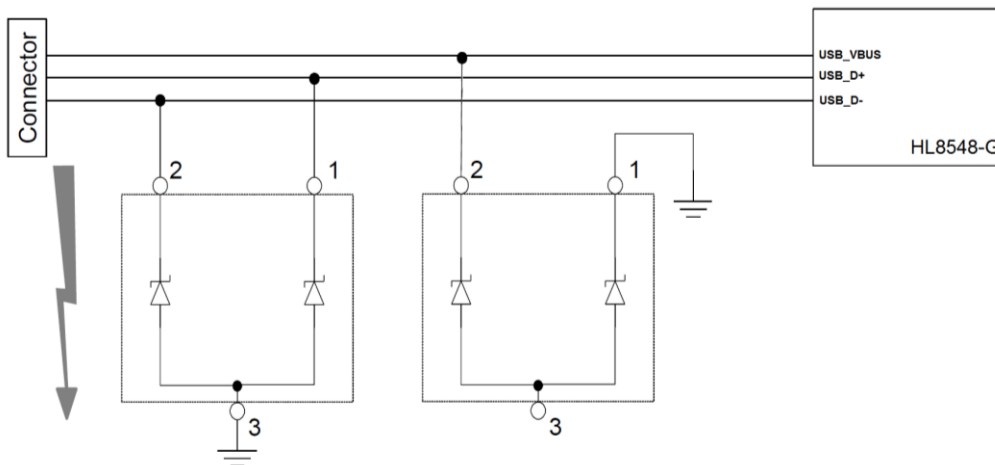


Figure 22. ESD Protection for USB

Note: It is not recommended to have an ESD diode with feedback path from USB_VBUS to either USB_D+ or USB_D-.

5.8. Dual SIM Application

Using an external switch and GPIOs, the HL8548 and HL8548-G can support Dual SIM Single Standby with fast network switching. Refer to document [2] AirPrime HL6 and HL8 Series AT Commands Interface Guide for related AT commands.

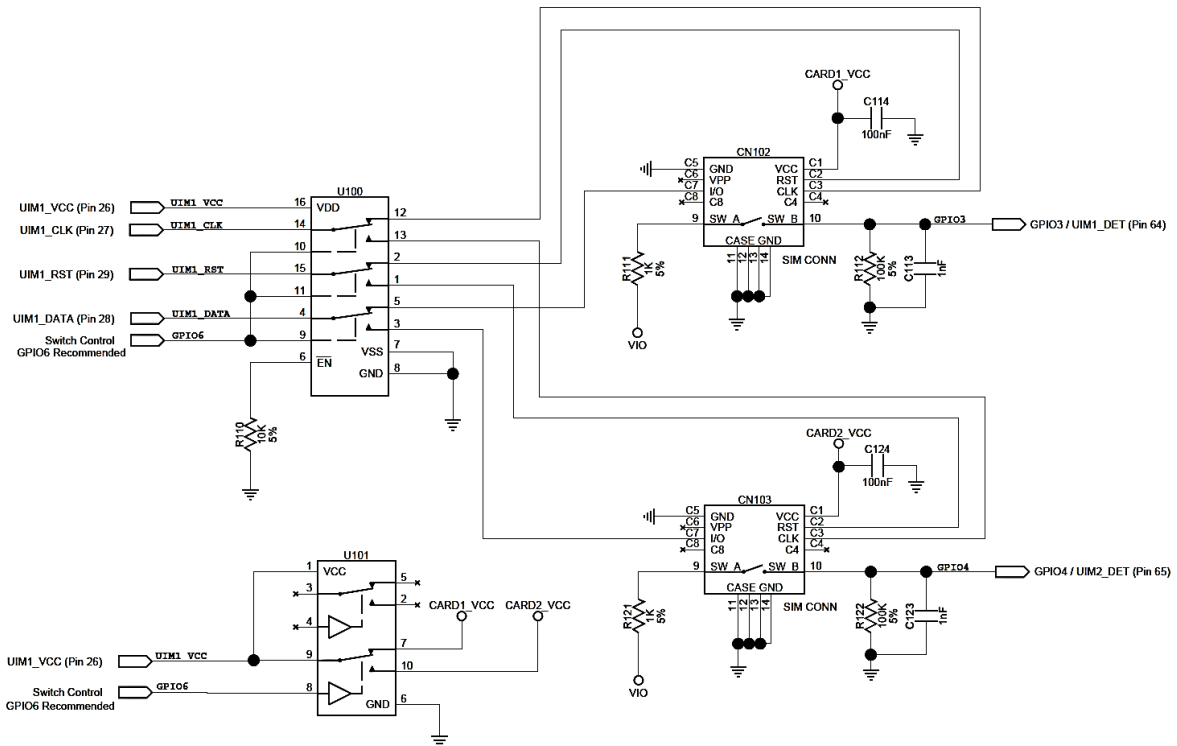


Figure 23. Reference Design for Dual SIM Application

5.9. Radio Integration

5.9.1. GSM Antenna Integration with Antenna Detection Circuitry

The AirPrime HL8548 and HL8548-G is equipped with external antennas. A 50Ω line matching circuit between the module, the customer’s board and the RF antennas is required, for GSM and GPS feed path, as shown in the example below.

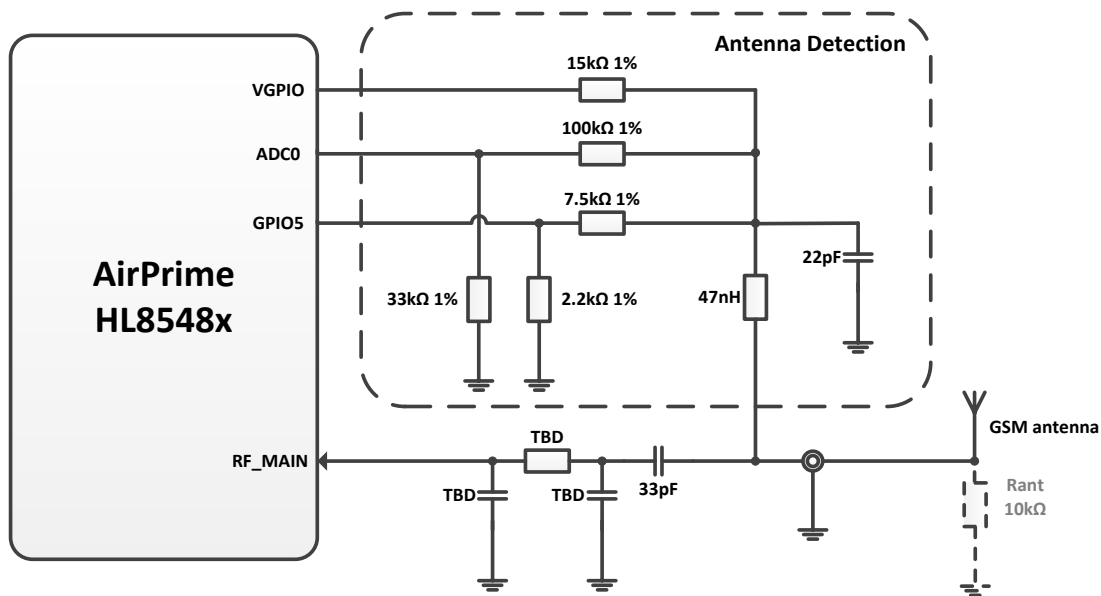


Figure 24. GSM Antenna Connection with Antenna Detection

Note: Antenna detection circuit is optional. Rant is the equivalent DC terminating resistor of the antenna. Rant should be close to 10KΩ.

5.9.2. GNSS Active Antenna Integration

The AirPrime HL8548-G module embeds a GPS/GLONASS receiver inside. A possible implementation with an active GNSS antenna is defined below.

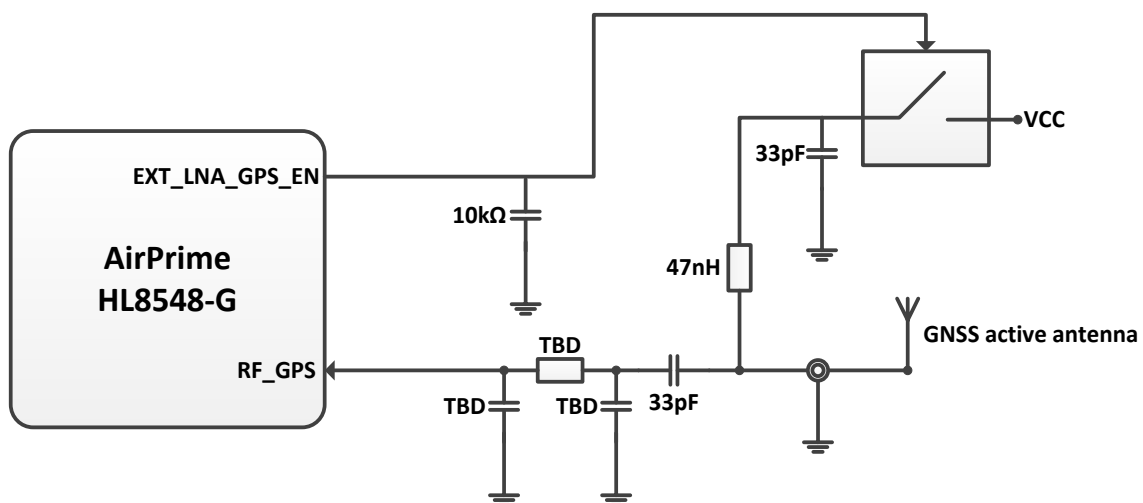


Figure 25. GNSS Application with Active Antenna

EXT_LNA_GPS_EN is a specific signal that automatically sets the AirPrime HL8548-G module internal LNA to low gain when an external pull-down resistor is detected.

Note: When the application needs to monitor the active antenna current, current monitor devices can be connected to any of the module's GPIOs, and read with a dedicated AT command.

>> 6. Reliability Specification

The AirPrime HL8548x module is tested against the Sierra Wireless Industrial Reliability Specification defined below.

6.1. Reliability Compliance

The AirPrime HL8548x module connected on a development kit board application is compliant with the following requirements.

Table 39. Standards Conformity


Abbreviation	Definition
IEC	International Electro technical Commission
ISO	International Organization for Standardization

6.2. Reliability Prediction Model

6.2.1. Life Stress Test

The following tests the AirPrime HL8548x module product performances.



Table 40. Life Stress Test

Designation	Condition
Performance Test PT3T & PTRT 	Standard: N/A
	Special conditions: <ul style="list-style-type: none"> • Temperature: <ul style="list-style-type: none"> ▪ Class A: -30°C to +70°C ▪ Class B: -40°C to +85°C ▪ Rate of temperature change: ± 3°C/min • Recovery time: 3 hours
	Operating conditions: Powered
	Duration: 14 days

6.2.2. Environmental Resistance Stress Tests

The following tests the AirPrime HL8548x module resistance to extreme temperature.

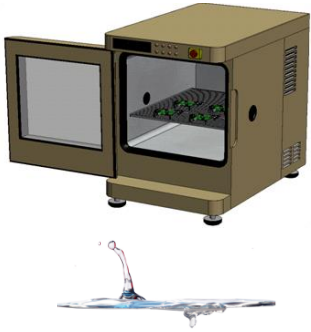

Table 41. Environmental Resistance Stress Tests

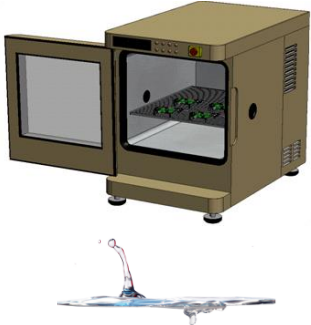
Designation	Condition
Cold Test Active COTA 	Standard: IEC 680068-2-1, Test Ad
	Special conditions: <ul style="list-style-type: none"> • Temperature: -40°C • Temperature variation: 1°C/min
	Operating conditions: Powered ON with a power cycle of 1 minute ON and 2 minutes OFF
	Duration: 3 days
Resistance to Heat Test RH 	Standard: IEC 680068-2-2, Test Bb
	Special conditions: <ul style="list-style-type: none"> • Temperature: +85°C • Temperature variation: 1°C/min
	Operating conditions: Powered ON with a power cycle of 15 minutes ON and 15 minutes OFF
	Duration: 50 days

6.2.3. Corrosive Resistance Stress Tests

The following tests the AirPrime HL8548x module resistance to corrosive atmosphere.

Table 42. Corrosive Resistance Stress Tests



Designation	Condition
Humidity Test HUT 	Standard: IEC 60068-2-3, Test Ca
	Special conditions: <ul style="list-style-type: none"> • Temperature: +65°C • RH: 95% • Temperature variation: 3 ± 0.6°C/min
	Operating conditions: Powered on, DUT is powered up for 15 minutes and OFF for 15 minutes
	Duration: 10 days
Component Solder Wettability CSW 	Standard: JESD22 – B102, Method 1/Condition C, Solderability Test Method
	Special conditions: <ul style="list-style-type: none"> • Test method: Dip and Look Test with Steam preconditioning 8 h ±15min. dip for 5 +0/-0.5 seconds
	Operating conditions: Un-powered
	Duration: 1 day

Designation	Condition
Moist Heat Cyclic Test MHCT 	Standard: IEC 60068-2-30, Test Db
	Special conditions: <ul style="list-style-type: none"> • Upper temperature: $+40 \pm 2^\circ\text{C}$ • Lower temperature: $+23 \pm 5^\circ\text{C}$ • RH: <ul style="list-style-type: none"> ▪ Upper temperature: 93% ▪ Lower temperature: 95% • Number of cycles: 21 (1 cycle/24 hours)
	Operating conditions: Powered ON for 15 minutes during each 3 hours ramp up and 3 hours ramp down (in middle) for every cycle
	Duration: 21 days

6.2.4. Thermal Resistance Cycle Stress Tests

The following tests the AirPrime HL8548x module resistance to extreme temperature cycling.

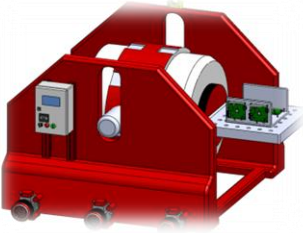

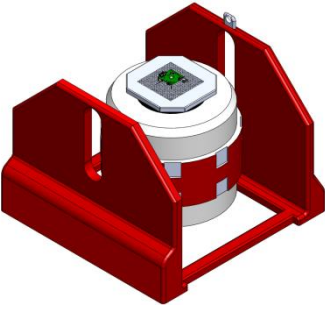
Table 43. Thermal Resistance Cycle Stress Tests

Designation	Condition
Thermal Shock Test TSKT 	Standard: IEC 60068-2-14, Test Na
	Special conditions: <ul style="list-style-type: none"> • Temperature: -30°C to $+80^\circ\text{C}$ • Temperature Variation: less than 30s • Number of cycles: 600 • Dwell Time: 10 minutes
	Operating conditions: Un-powered
	Duration: 9 days
Temperature Change TCH 	Standard: IEC 60068-2-14, Test Nb
	Special conditions: <ul style="list-style-type: none"> • Temperature: -40°C to $+90^\circ\text{C}$ • Temperature Variation: $3 \pm 0.6^\circ\text{C}/\text{min}$ • Number of cycles: 400 • Dwell Time: 10 minutes
	Operating conditions: Un-powered
	Duration: 29 days

6.2.5. Mechanical Resistance Stress Tests

The following tests the AirPrime HL8548x module resistance to vibrations and mechanical shocks.

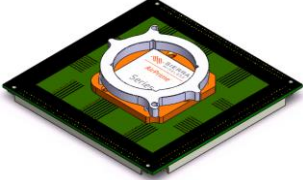


Table 44. Mechanical Resistance Stress Tests

Designation	Condition
Sinusoidal Vibration Test SVT 	Standard: IEC 60068-2-6, Test Fc
	Special conditions: <ul style="list-style-type: none"> • Frequency range: 16 Hz to 1000 Hz • Displacement: 0.35mm (peak-peak) • Acceleration: <ul style="list-style-type: none"> ▪ 5G from 16 to 62 Hz ▪ 3G from 62 to 200 Hz ▪ 1G from 200 to 1000 Hz • Sweep rate: 1 octave / cycle • Number of Sweep: 20 sweeps/axis • Sweep direction: ± X, ± Y, ± Z
	Operating conditions: Un-powered
	Duration: 2 days
Random Vibration Test RVT 	Standard: IEC 60068-2-64, Test Fh
	Special conditions: <ul style="list-style-type: none"> • Frequency range: 10 Hz – 2000 Hz • Power Spectral Density in [(m/s²)²/Hz] <ul style="list-style-type: none"> ▪ 0.1 g²/Hz at 10Hz ▪ 0.01 g²/Hz at 250Hz ▪ 0.005 g²/Hz at 1000Hz ▪ 0.005 g²/Hz at 2000Hz • Peak factor : 3 • Duration per Axis : 1hr / axis
	Operating conditions: Un-powered
	Duration: 1 day
Mechanical Shock Test MST 	Standard: IEC 60068-2-27, Test Ea
	Special conditions: <ul style="list-style-type: none"> • Shock Test 1: <ul style="list-style-type: none"> ▪ Wave form: Half sine ▪ Peak acceleration: 30g ▪ Duration: 11ms ▪ Number of shocks: 8 ▪ Direction: ±X, ±Y, ±Z • Shock Test 2: <ul style="list-style-type: none"> ▪ Wave form: Half sine ▪ Peak acceleration: 100g ▪ Duration: 6ms ▪ Number of shocks: 3 ▪ Direction: ±X, ±Y, ±Z
	Operating conditions: Un-powered
	Duration: 72 hours

6.2.6. Handling Resistance Stress Tests

The following tests the AirPrime HL8548x module resistance to handling malfunctions and damage.

Table 45. Handling Resistance Stress Tests

Designation	Condition
ESDC Test 	Standard: JESD22-A114, JESD22-A115, JESD22-C101
	Special conditions: <ul style="list-style-type: none"> • HBM (Human Body Model) : 1000V (Class 1C) • MM (Machine Model) : 200V • CDM (Charged Device Model) : 250V (Class II)
	Operating conditions: Powered
	Duration: 3 days
ESD Test 	Standard: IEC 61000-4-2
	Special conditions: <ul style="list-style-type: none"> • Contact Voltage : ±2kV, ±4kV, ±6kV • Air Voltage: ±2kV, ±4kV, ±8kV
	Operating conditions: Powered
	Duration: 3 days
Free Fall Test FFT 1 	Standard : IEC 60068-2-32, Test Ed
	Special conditions: <ul style="list-style-type: none"> • Number of drops: 2 drops per unit • Height: 1m
	Operating conditions: Un-powered
	Duration: 6 hours

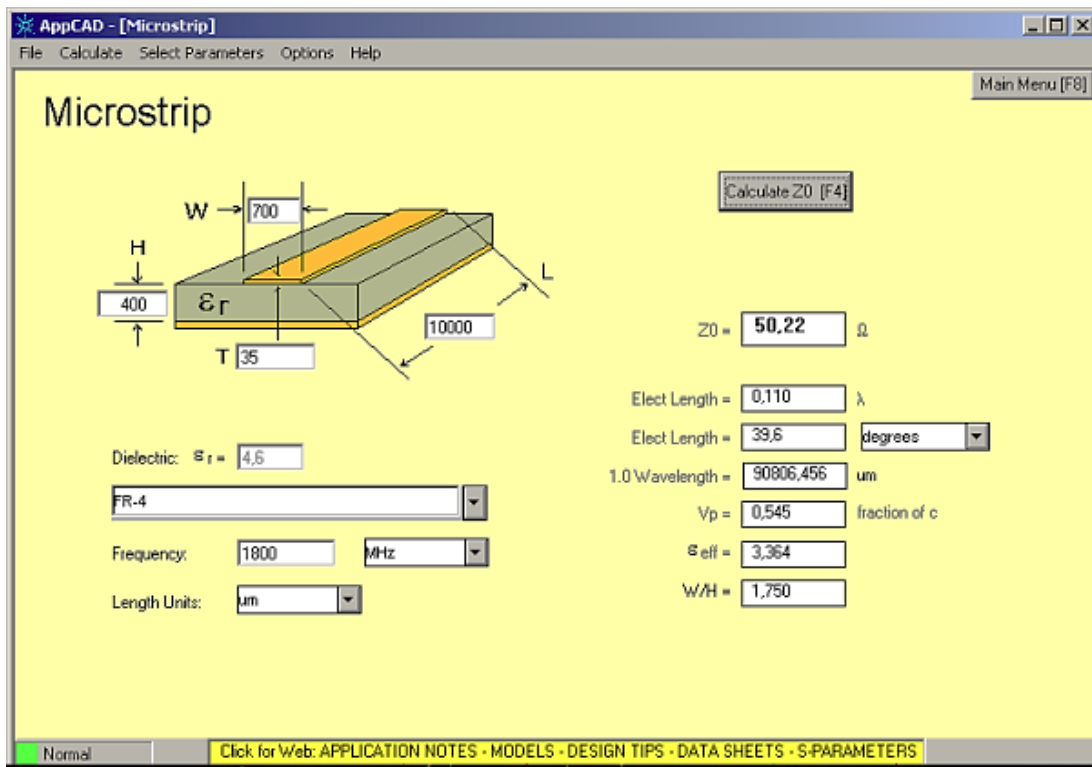


7. FCC/IC Legal Information

7.1. FCC Regulations

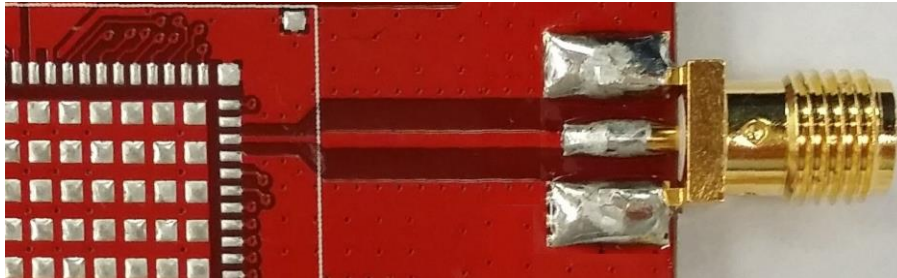
The HL8548x module has been granted modular approval for mobile applications. Integrators may use the HL8548x module in their final products without additional FCC certification if they meet the following conditions. Otherwise, additional FCC approvals must be obtained.

1. At least 20 cm separation distance between the antenna and the user's body must be maintained at all times.
2. To comply with FCC regulations limiting both maximum RF output power and human exposure to RF radiation, the maximum antenna gain including cable loss in a mobile-only exposure condition must not exceed:
 - 6.43 dBi in the cellular band
 - 3.0 dBi in the PCS band
3. The HL8548x module must not transmit simultaneously with other collocated radio transmitters within a host device.
4. The RF signal must be routed on the application board using tracks with a 50Ω characteristic impedance. Basically, the characteristic impedance depends on the dielectric, the track width and the ground plane spacing. In order to respect this constraint, Sierra Wireless recommends using MicroStrip or StripLine structure and computing the Tracks width with a simulation tool (like AppCad shown in the figure below and that is available free of charge at <http://www.agilent.com>).



If a multi-layered PCB is used, the RF path on the board must not cross any signal (digital, analog or supply).

If necessary, use Stripline structure and route the digital line(s) "outside" the RF structure. An example of proper routing is shown in the figure below.



Stripline and Coplanar design requires having a correct ground plane at both sides. Consequently, it is necessary to add some vias along the RF path. It is recommended to use Stripline design if the RF path is fairly long (more than 3cm), since MicroStrip design is not shielded. Consequently, the RF signal (when transmitting) may interfere with neighbouring electronics (AF amplifier, etc.). In the same way, the neighbouring electronics (micro-controllers, etc.) may degrade the reception performances. The GSM/GPRS connector is intended to be directly connected to a 50Ω antenna and no matching is needed.

5. A label must be affixed to the outside of the end product into which the HL8548x module is incorporated, with a statement similar to the following:

This device contains FCC ID: **N7NHL8548**

6. A user manual with the end product must clearly indicate the operating requirements and conditions that must be observed to ensure compliance with current FCC RF exposure guidelines.

The end product with an embedded HL8548x module may also need to pass the FCC Part 15 unintentional emission testing requirements and be properly authorized per FCC Part 15.

Note: If this module is intended for use in a portable device, you are responsible for separate approval to satisfy the SAR requirements of FCC Part 2.1093.

7.2. IC Regulations

IC Radiation Exposure Statement:

This equipment complies with IC RSS-102 radiation exposure limits set forth for an uncontrolled environment. This equipment should be installed and operated with minimum distance 20cm between the radiator & your body.

This device and its antenna(s) must not be co-located or operating in conjunction with any other antenna or transmitter.

This Class B digital apparatus complies with Canadian ICES-003.

Under Industry Canada regulations, this radio transmitter may only operate using an antenna of a type and maximum (or lesser) gain approved for the transmitter by Industry Canada. To reduce potential radio interference to other users, the antenna type and its gain should be so chosen that the equivalent isotropically radiated power (e.i.r.p) is not more than necessary for successful communication.

Labeling Requirements for the Host Device (from Section 3.2.1, RSS-Gen, Issue 3, December 2010): The host device shall be properly labeled to identify the module within the host device. The Industry Canada certification label of a module shall be clearly visible at all times when installed in the host device, otherwise the host device must be labeled to display

the Industry Canada certification number of the module, preceded by the words – Contains transmitter module, or the word – Contains, or similar wording expressing the same meaning, as follows: Contains transmitter module IC: **2417C-HL8548**.

This device complies with Industry Canada license-exempt RSS standard(s). Operation is subject to the following two conditions: (1) this device may not cause interference, and (2) this device must accept any interference, including interference that may cause undesired operation of the device. Le présent appareil est conforme aux CNR d'Industrie Canada applicables aux appareils radio exempts de licence.

This radio transmitter (identify the device by certification number, or model number if Category II) has been approved by Industry Canada to operate with the antenna types listed below with the maximum permissible gain and required antenna impedance for each antenna type indicated. Antenna types not included in this list, having a gain greater than the maximum gain indicated for that type, are strictly prohibited for use with this device.

>> 8. Ordering Information

Table 46. Ordering Information

Model Name	Description	Part Number
HL8548	HL8548 embedded module	Contact Sierra Wireless for the latest SKU
HL8548-G	HL8548-G embedded module	Contact Sierra Wireless for the latest SKU
DEV-KIT	HL Series Development Kit	6000620

9. Terms and Abbreviations

Abbreviation	Definition
ADC	Analog to Digital Converter
AGC	Automatic Gain Control
AT	Attention (prefix for modem commands)
CDMA	Code Division Multiple Access
CF3	Common Flexible Form Factor
CLK	Clock
CODEC	Coder Decoder
CPU	Central Processing Unit
DAC	Digital to Analog Converter
DTR	Data Terminal Ready
EGNOS	European Geostationary Navigation Overlay Service
EMC	Electromagnetic Compatibility
EMI	Electromagnetic Interference
EN	Enable
ESD	Electrostatic Discharges
ETSI	European Telecommunications Standards Institute
FDMA	Frequency-division multiple access
GAGAN	GPS aided geo augmented navigation
GLONASS	Global Navigation Satellite System
GND	Ground
GNSS	Global Navigation Satellite System
GPIO	General Purpose Input Output
GPRS	General Packet Radio Service
GSM	Global System for Mobile communications
Hi Z	High impedance (Z)
IC	Integrated Circuit
IMEI	International Mobile Equipment Identification
I/O	Input / Output
LED	Light Emitting Diode
LNA	Low Noise Amplifier
MAX	Maximum
MIN	Minimum
MSAS	Multi-functional Satellite Augmentation System
N/A	Not Applicable
PA	Power Amplifier
PC	Personal Computer
PCB	Printed Circuit Board
PCL	Power Control Level
PLL	Phase Lock Loop
PWM	Pulse Width Modulation
QZSS	Quasi-Zenith Satellite System

Abbreviation	Definition
RF	Radio Frequency
RFI	Radio Frequency Interference
RMS	Root Mean Square
RST	Reset
RTC	Real Time Clock
RX	Receive
SCL	Serial Clock
SDA	Serial Data
SIM	Subscriber Identification Module
SMD	Surface Mounted Device/Design
SPI	Serial Peripheral Interface
SW	Software
PSRAM	Pseudo Static RAM
TBC	To Be Confirmed
TBD	To Be Defined
TP	Test Point
TX	Transmit
TYP	Typical
UART	Universal Asynchronous Receiver-Transmitter
UICC	Universal Integrated Circuit Card
USB	Universal Serial Bus
UIM	User Identity Module
VBATT	Main Supply Voltage from Battery or DC adapter
VSWR	Voltage Standing Wave Ratio
WAAS	Wide Area Augmentation System



SIERRA
WIRELESS®