

FCC Test Report

FCC ID: QISME919BS-567A

Project No. : 1701C252
Equipment : LTE Module
Model Name : ME919Bs-567a
Applicant : Huawei Technologies Co.,Ltd.
Address : Administration Building, Headquarters of Huawei Technologies Co., Ltd., Bantian, Longgang District Shenzhen China

Date of Receipt : Feb. 08, 2017
Date of Test : Feb. 08, 2017 ~ Feb. 13, 2017
Issued Date : Feb. 15, 2017
Tested by : BTL Inc.

Testing Engineer : Kevin Li
(Kevin Li)

Technical Manager : Bill Zhang
(Bill Zhang)

Authorized Signatory : Steven Lu
(Steven Lu)

B T L I N C .

No.3, Jinshagang 1st Road, Shixia, Dalang Town, Dongguan,
Guangdong, China.

TEL: +86-769-8318-3000 FAX: +86-769-8319-6000



Declaration

BTL represents to the client that testing is done in accordance with standard procedures as applicable and that test instruments used has been calibrated with standards traceable to international standard(s) and/or national standard(s).

BTL's reports apply only to the specific samples tested under conditions. It is manufacture's responsibility to ensure that additional production units of this model are manufactured with the identical electrical and mechanical components. **BTL** shall have no liability for any declarations, inferences or generalizations drawn by the client or others from **BTL** issued reports.

BTL's report must not be used by the client to claim product certification, approval, or endorsement by NVLAP, NIST, or any agency of the Federal Government.

This report is the confidential property of the client. As a mutual protection to the clients, the public and **BTL-self**, extracts from the test report shall not be reproduced except in full with **BTL's** authorized written approval.

BTL's laboratory quality assurance procedures are in compliance with the **ISO Guide 17025** requirements, and accredited by the conformity assessment authorities listed in this test report.

Limitation

For the use of the authority's logo is limited unless the Test Standard(s)/Scope(s)/Item(s) mentioned in this test report is (are) included in the conformity assessment authorities acceptance respective.

Table of Contents	Page
REPORT ISSUED HISTORY	4
1 . CERIFICATION	5
2 . SUMMARY OF TEST RESULTS	6
2.1 TEST FACILITY	7
2.2 MEASUREMENT UNCERTAINTY	7
3 . GENERAL INFORMATION	8
3.1 GENERAL DESCRIPTION OF EUT	8
3.2 DESCRIPTION OF TEST MODES	9
3.3 EUT OPERATING CONDITIONS	9
3.4 BLOCK DIAGRAM SHOWING THE CONFIGURATION OF SYSTEM TESTED	10
3.5 DESCRIPTION OF SUPPORT UNITS	11
4 . EMC EMISSION TEST	12
4.1 CONDUCTED EMISSION MEASUREMENT	12
4.1.1 POWER LINE CONDUCTED EMISSION	12
4.1.2 MEASUREMENT INSTRUMENTS LIST	12
4.1.3 TEST PROCEDURE	13
4.1.4 DEVIATION FROM TEST STANDARD	13
4.1.5 TEST SETUP	13
4.1.6 TEST RESULTS	13
4.2 RADIATED EMISSION MEASUREMENT	16
4.2.1 LIMITS OF RADIATED EMISSION MEASUREMENT	16
4.2.2 MEASUREMENT INSTRUMENTS LIST	17
4.2.3 TEST PROCEDURE	18
4.2.4 DEVIATION FROM TEST STANDARD	18
4.2.5 TEST SETUP	19
4.2.6 TEST RESULTS-BELOW 1GHZ	19
4.2.7 TEST RESULTS-ABOVE 1GHZ	22

REPORT ISSUED HISTORY

Issued No.	Description	Issued Date
BTL-FCCE-1-1701C252	Original Issue.	Feb. 15, 2017

1. CERIFICATION

Equipment : LTE Module
Brand Name : HUawei
Model Name : ME919Bs-567a
Applicant : Huawei Technologies Co.,Ltd.
Manufacturer : Huawei Technologies Co.,Ltd.
Address : Administration Building, Headquarters of Huawei Technologies Co., Ltd.,
Bantian, Longgang District Shenzhen China
Factory : Huawei Technologies Co.,Ltd.
Address : Administration Building, Headquarters of Huawei Technologies Co., Ltd.,
Bantian, Longgang District Shenzhen China
Date of Test : Feb. 08, 2017 ~ Feb. 13, 2017
Test Sample : Engineering Sample
Standard(s) : FCC Part 15, Subpart B
ANSI C63.4-2014

The above equipment has been tested and found compliance with the requirement of the relative standards by BTL Inc.

The test data, data evaluation, and equipment configuration contained in our test report (Ref No. BTL-FCCE-1-1701C252) were obtained utilizing the test procedures, test instruments, test sites that has been accredited by the Authority of TAF according to the ISO-17025 quality assessment standard and technical standard(s).

2. SUMMARY OF TEST RESULTS

Test procedures according to the technical standard(s):

EMC Emission				
Standard(s)	Test Item	Limit	Judgment	Remark
FCC Part15, Subpart B ANSI C63.4-2014	Conducted Emission	Class B	PASS	
	Radiated emission Below 1 GHz	Class B	PASS	
	Radiated emission Above 1 GHz	Class B	PASS	NOTE(2)

NOTE:

- (1) " N/A" denotes test is not applicable to this device.
- (2) The EUT's max operating frequency exceeds 108 MHz, so the test will be performed.

2.1 TEST FACILITY

The test facilities used to collect the test data in this report at the location of No.3, Jinshagang 1st Road, Shixia, Dalang Town, Dongguan, Guangdong, China.

2.2 MEASUREMENT UNCERTAINTY

Where relevant, the following measurement uncertainty levels have been estimated for tests performed on the EUT as specified in CISPR 16-4-2. The BTL measurement uncertainty is less than the CISPR 16-4-2 U_{CISPR} requirement.

The reported uncertainty of measurement $y \pm U$, where expanded uncertainty U is based on a standard uncertainty multiplied by a coverage factor of $k=2$, providing a level of confidence of approximately **95%**.

A. Conducted Measurement :

Test Site	Method	Measurement Frequency Range	U, (dB)
DG-C02	CISPR	150 kHz ~ 30MHz	2.32

B. Radiated Measurement :

Test Site	Method	Measurement Frequency Range	Ant. H / V	U, (dB)
DG-CB03 (3m)	CISPR	9KHz ~ 30MHz	V	3.79
		9KHz ~ 30MHz	H	3.57
		30MHz ~ 200MHz	V	3.82
		30MHz ~ 200MHz	H	3.78
		200MHz ~ 1,000MHz	V	4.10
		200MHz ~ 1,000MHz	H	4.06

Test Site	Method	Measurement Frequency Range	Ant. H / V	U, (dB)
DG-CB03	CISPR	1GHz ~ 18GHz	V	3.12
		1GHz ~ 18GHz	H	3.68
		1GHz ~ 18GHz	V	3.12
		1GHz ~ 18GHz	H	3.68

Note: Unless specifically mentioned, the uncertainty of measurement has not been taken into account to declare the compliance or non-compliance to the specification.

3. GENERAL INFORMATION

3.1 GENERAL DESCRIPTION OF EUT

Equipment	LTE Module
Brand Name	HUAWEI
Model Name	ME919Bs-567a
Model Difference	N/A
Frequency	GSM 850/1900 WCDMA850/1700/1900 LTE B2/4/5/7/12/13/17/29
Power Source	#1 Supplied from PC USB port. #2 Battery Supplied.
Power Rating	#1 100-240V~ 50/60Hz #2 4.0V (3.8V-4.2V)
HW Version	RM1ME919BSTM
SW Version	11.655.03.00.1419

Note:

1. For a more detailed features description, please refer to the manufacturer's specifications or the user's manual.
2. ME919Bs-567a LTE/WCDMA(UMTS)/GSM/GPRS/EDGE multimode Wireless Module is subscriber equipment in the LTE /UMTS/GSM system. ME919Bs-567a implement such functions as RF signal receiving/transmitting, LTE/WCDMA and EDGE/GPRS/GSM protocol processing, data service etc. Externally it provides LGA interface.

3.2 DESCRIPTION OF TEST MODES

To investigate the maximum EMI emission characteristics generated from EUT, the test system was pre-scanning tested base on the consideration of following EUT operation mode or test configuration mode which possible have effect on EMI emission level. Each of these EUT operation mode(s) or test configuration mode(s) mentioned above was evaluated respectively.

Pretest Mode	Description
Mode 1	EUT with PC+idle
Mode 2	EUT With PC+Traffic mode

For Conducted Test	
Final Test Mode	Description
Mode 1	EUT with PC+idle

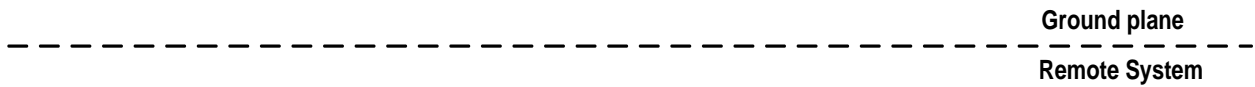
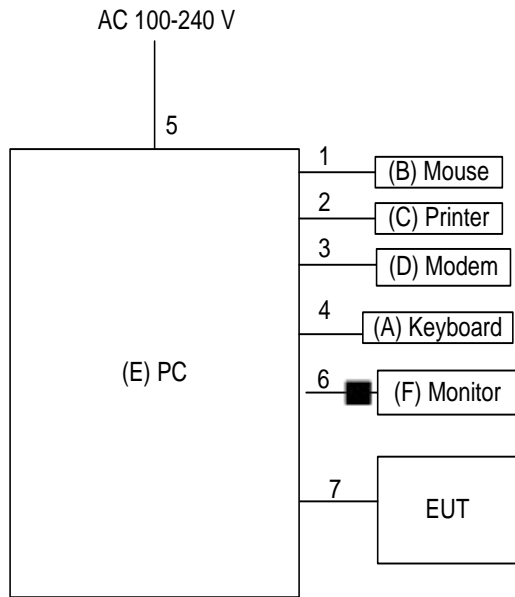
For Radiated Test	
Final Test Mode	Description
Mode 1	EUT with PC+idle

Note: Mode 1 is the worst case and recording in test report.

3.3 EUT OPERATING CONDITIONS

The EUT exercise program used during radiated and/or conducted emission measurement was designed to exercise the various system components in a manner similar to a typical use.

3.4 BLOCK DIAGRAM SHOWING THE CONFIGURATION OF SYSTEM TESTED



■ Ferrite core

3.5 DESCRIPTION OF SUPPORT UNITS

The EUT has been tested as an independent unit together with other necessary accessories or support units. The following support units or accessories were used to form a representative test configuration during the tests.

Item	Equipment	Mfr/Brand	Model/Type No.	FCC ID	Series No.
A	USB Keyboard	Dell	L100	DOC	CNORH6596589071T08NE
B	USB Mouse	Dell	MO56UOA	DOC	FQJ000BS
C	Printer	SII	DPU-414	DOC	3018507 B
D	Modem	ACEEX	DM-1414V	IFAXDM1414	0603002131
E	PC	Dell	DCSM 745	DOC	G7K832X
F	LCD monitor	Dell	E177FPc	DOC	CNOFJ179-64180-6AG-1WNS

Item	Shielded Type	Ferrite Core	Length	Note
1	YES	NO	1.8m	USB Cable
2	YES	NO	1.5m	Parallel Cable
3	YES	NO	1.5m	RS232 Cable
4	YES	NO	1.8m	USB Cable
5	NO	NO	1.8m	AC power Cable
6	YES	YES	1.8m	D-SUB Cable
7	YES	NO	1m	USB Cable

4. EMC EMISSION TEST

4.1 CONDUCTED EMISSION MEASUREMENT

4.1.1 POWER LINE CONDUCTED EMISSION (FREQUENCY RANGE 150KHZ-30MHZ)

FREQUENCY (MHz)	Class A (dBuV)		Class B (dBuV)	
	Quasi-peak	Average	Quasi-peak	Average
0.15 -0.5	79.00	66.00	66 - 56 *	56 - 46 *
0.50 -5.0	73.00	60.00	56.00	46.00
5.0 -30.0	73.00	60.00	60.00	50.00

Note:

- (1) The tighter limit applies at the band edges.
- (2) The limit of " * " marked band means the limitation decreases linearly with the logarithm of the frequency in the range.
- (3) The test result calculated as following:
 Measurement Value = Reading Level + Correct Factor
 Correct Factor = Insertion Loss + Cable Loss + Attenuator Factor(if use)
 Margin Level = Measurement Value - Limit Value

4.1.2 MEASUREMENT INSTRUMENTS LIST

Item	Kind of Equipment	Manufacturer	Type No.	Serial No.	Calibrated until
1	Measurement Software	Farad	EZ-EMC Ver.NB-03A 1-01	N/A	N/A
2	LISN	EMCO	3816/2	00052765	Mar. 27, 2017
3	50Ω Terminator	SHX	TF2-3G-A	08122901	Mar. 27, 2017
4	TWO-LINE V-NETWORK	R&S	ENV216	101447	Mar. 27, 2017
5	Cable	emci	RG223(9K Hz-30MHz) (5m)	N/A	Mar. 10, 2017
6	EMI Test Receiver	R&S	ESCI	100382	Mar. 27, 2017

Remark: "N/A" denotes no model name, serial no. or calibration specified.
 All calibration period of equipment list is one year.

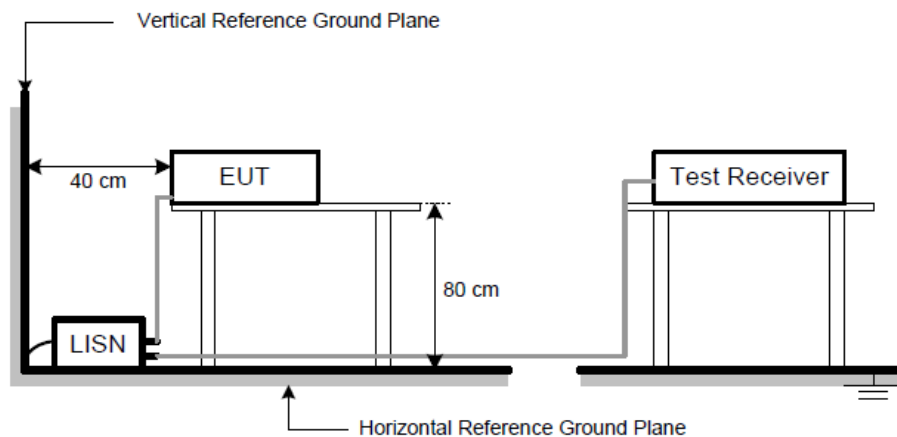
4.1.3 TEST PROCEDURE

- a. The EUT was placed 0.8 meters from the horizontal ground plane with EUT being connected to the power mains through a line impedance stabilization network (LISN). All other support equipments powered from additional LISN(s). The LISN provide 50 Ohm/ 50uH of coupling impedance for the measuring instrument.
- b. Interconnecting cables that hang closer than 40 cm to the ground plane shall be folded back and forth in the center forming a bundle 30 to 40 cm long.
- c. I/O cables that are not connected to a peripheral shall be bundled in the center. The end of the cable may be terminated, if required, using the correct terminating impedance. The overall length shall not exceed 1 m.
- d. LISN at least 80 cm from nearest part of EUT chassis.
- e. For the actual test configuration, please refer to the related Item –EUT Test Photos.
- f. First the whole spectrum of emission caused by equipment under test(EUT) is recorded with Detector set to peak. Peak value recorded in table if the margin from QP Limit is larger than 2dB, otherwise, QP value is recorded, Measuring frequency range from 150KHz to 30MHz.

4.1.4 DEVIATION FROM TEST STANDARD

No deviation

4.1.5 TEST SETUP

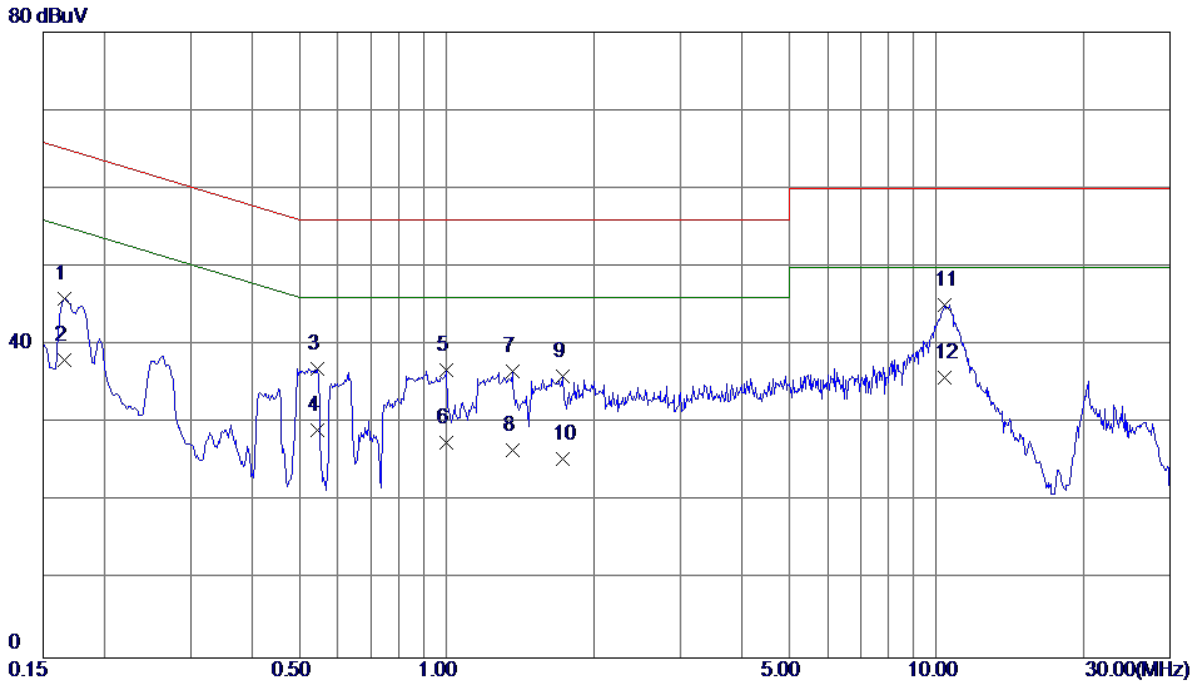


4.1.6 TEST RESULTS

Remark

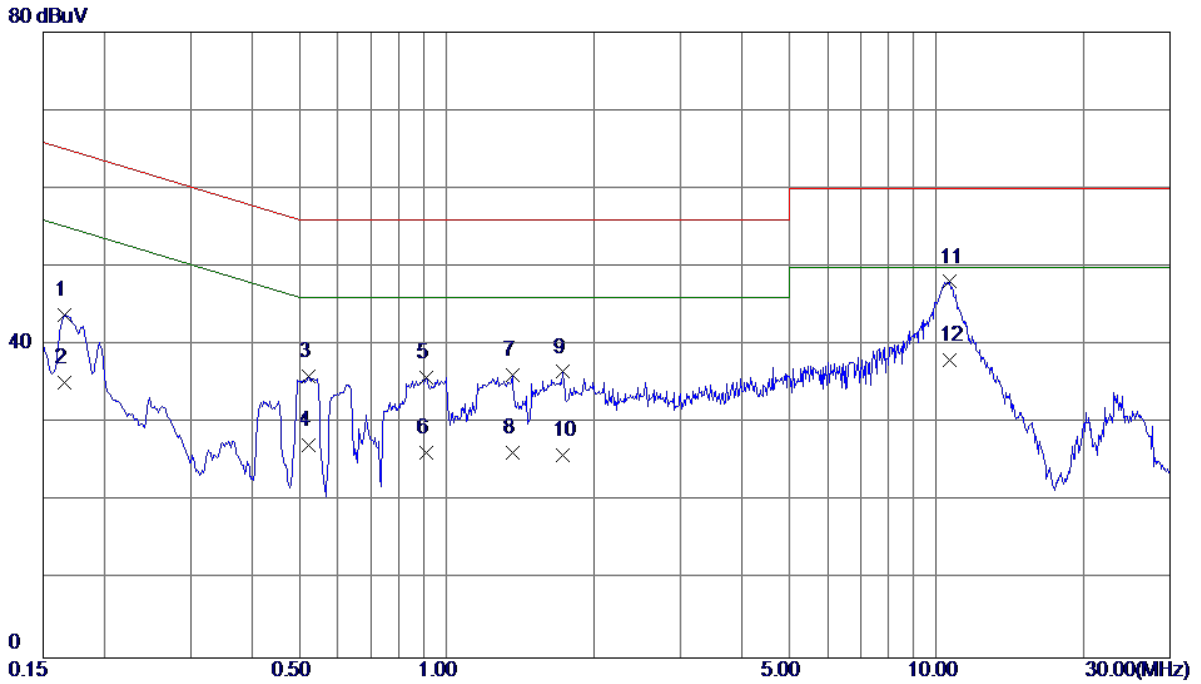
- (1) Reading in which marked as QP means measurements by using are Quasi-Peak Mode with Detector BW=9KHz; SPA setting in RBW=10KHz,VBW =10KHz, Swp. Time = 0.3 sec./MHz. Reading in which marked as AV means measurements by using are Average Mode with instrument setting in RBW=10KHz,VBW=10KHz, Swp. Time =0.3 sec./MHz.
- (2) All readings are QP Mode value unless otherwise stated AVG in column of 『Note』. If the QP Mode Measured value compliance with the QP Limits and lower than AVG Limits, the EUT shall be deemed to meet both QP & AVG Limits and then only QP Mode was measured, but AVG Mode didn't perform. In this case, a “ * ” marked in AVG Mode column of Interference Voltage Measured.

EUT	LTE Module	Model Name	ME919Bs-567a
Temperature	25°C	Relative Humidity	53%
Test Voltage	AC 120V/60Hz	Phase	Line
Test Mode	EUT with PC+idle		
Test Engineer	Kevin Li		



No.	Freq. MHz	Reading Level dBuV	Correct Factor dB	Measure ment dBuV	Limit dBuV	Margin dB	Detector
1	0.1658	36.32	9.65	45.97	65.17	-19.20	QP
2	0.1658	28.40	9.65	38.05	55.17	-17.12	AVG
3	0.5460	27.04	9.97	37.01	56.00	-18.99	QP
4	0.5460	19.20	9.97	29.17	46.00	-16.83	AVG
5	1.0005	26.61	10.12	36.73	56.00	-19.27	QP
6	1.0005	17.40	10.12	27.52	46.00	-18.48	AVG
7	1.3650	26.53	10.18	36.71	56.00	-19.29	QP
8	1.3650	16.41	10.18	26.59	46.00	-19.41	AVG
9	1.7295	25.96	10.11	36.07	56.00	-19.93	QP
10	1.7295	15.30	10.11	25.41	46.00	-20.59	AVG
11	10.3875	34.67	10.48	45.15	60.00	-14.85	QP
12 *	10.3875	25.40	10.48	35.88	50.00	-14.12	AVG

EUT	LTE Module	Model Name	ME919Bs-567a
Temperature	25°C	Relative Humidity	53%
Test Voltage	AC 120V/60Hz	Phase	Neutral
Test Mode	EUT with PC+idle		
Test Engineer	Kevin Li		



No.	Freq. MHz	Reading Level dBuV	Correct Factor dB	Measure ment dBuV	Limit dBuV	Margin dB	Detector
1	0.1657	34.24	9.55	43.79	65.17	-21.38	QP
2	0.1657	25.60	9.55	35.15	55.17	-20.02	AVG
3	0.5212	26.14	9.81	35.95	56.00	-20.05	QP
4	0.5212	17.40	9.81	27.21	46.00	-18.79	AVG
5	0.9104	25.89	9.90	35.79	56.00	-20.21	QP
6	0.9104	16.40	9.90	26.30	46.00	-19.70	AVG
7	1.3650	26.17	9.99	36.16	56.00	-19.84	QP
8	1.3650	16.30	9.99	26.29	46.00	-19.71	AVG
9	1.7295	26.50	10.06	36.56	56.00	-19.44	QP
10	1.7295	15.80	10.06	25.86	46.00	-20.14	AVG
11	10.6440	37.78	10.30	48.08	60.00	-11.92	QP
12 *	10.6440	27.81	10.30	38.11	50.00	-11.89	AVG

4.2 RADIATED EMISSION MEASUREMENT

4.2.1 LIMITS OF RADIATED EMISSION MEASUREMENT

Below 1 GHz

Measurement Method and Applied Limits:

ANSI C63.4:

Frequency (MHz)	Class A (at 10m)		Class B (at 3m)	
	(uV/m) Field strength	(dBuV/m) Field strength	(uV/m) Field strength	(dBuV/m) Field strength
30 - 88	90	39	100	40
88 - 216	150	43.5	150	43.5
216 - 960	210	46.4	200	46
Above 960	300	49.5	500	54

Above 1 GHz

Measurement Method and Applied Limits:

ANSI C63.4:

Frequency (MHz)	Class A				Class B	
	(dBuV/m) (at 3m)		(dBuV/m) (at 10m)		(dBuV/m) (at 3m)	
	Peak	Average	Peak	Average	Peak	Average
Above 1000	80	60	69.5	49.5	74	54

FREQUENCY RANGE OF RADIATED MEASUREMENT (FOR UNINTENTIONAL RADIATORS)

Highest frequency generated or Upper frequency of measurement used in the device or on which the device operates or tunes (MHz)	Range (MHz)
Below 1.705	30
1.705 - 108	1000
108 - 500	2000
500 - 1000	5000
Above 1000	5 th harmonic of the highest frequency or 40 GHz, whichever is lower

NOTE:

- (1) The limit for radiated test was performed according to as following:
FCC Part 15, Subpart B
- (2) The tighter limit applies at the band edges.
- (3) Emission level (dBuV/m) = 20log Emission level (uV/m).
3m Emission level = 10m Emission level + 20log(10m/3m).
- (4) The test result calculated as following:
Measurement Value = Reading Level + Correct Factor
Correct Factor = Antenna Factor + Cable Loss - Amplifier Gain(if use)
Margin Level = Measurement Value - Limit Value

4.2.2 MEASUREMENT INSTRUMENTS LIST

Item	Kind of Equipment	Manufacturer	Type No.	Serial No.	Calibrated until
1	Measurement Software	Farad	EZ-EMC Ver.NB-03A 1-01	N/A	N/A
2	Amplifier	Agilent	8449B	3008A02274	Mar. 10, 2017
3	Receiver	Agilent	N9038A	MY5213003 9	Sep. 04, 2017
4	Antenna	EM	EM-6876-1	230	Jul. 08, 2017
5	Controller	CT	SC100	N/A	N/A
6	Controller	MF	MF-7802	MF7802084 16	N/A
7	Cable	emci	EMC104-S M-SM-1200 0(12m)	N/A	Jul. 06, 2017
8	Double Ridged Guide Antenna	ETS	3115	00075789	Mar. 27, 2017
9	Broad-Band Horn Antenna	Schwarzbeck	BBHA 9170	9170319	Apr. 23, 2017
10	Microwave Preamplifier With Adaptor	EMC INSTRUMENT	EMC26540 45	980039 & HA01	Mar. 27, 2017

Remark: "N/A" denotes no model name, serial no. or calibration specified.
All calibration period of equipment list is one year.

4.2.3 TEST PROCEDURE

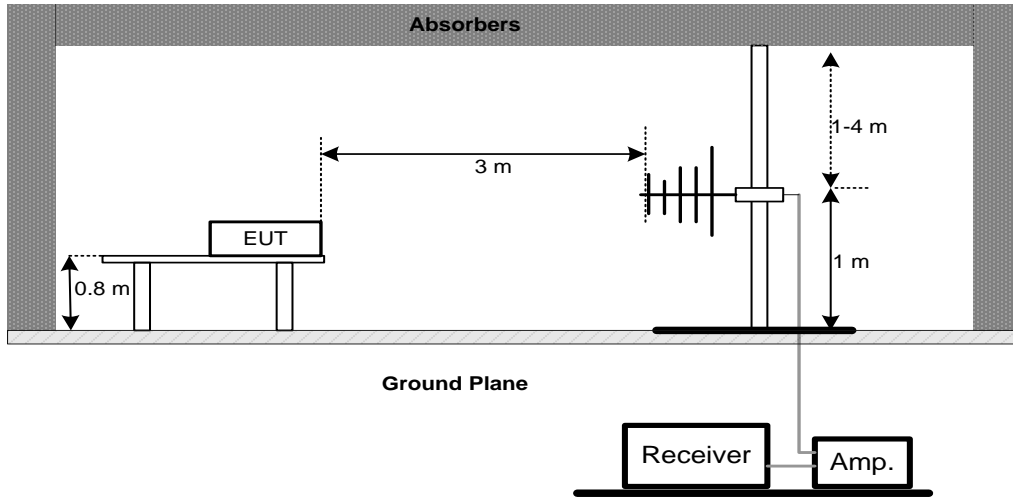
- a. The measuring distance of 3 m shall be used for measurements. The EUT was placed on the top of a rotating table 0.8 meter above the ground at a 3 meter semi-anechoic chamber. The table was rotated 360 degrees to determine the position of the highest radiation.(below 1GHz)
- b. The measuring distance of 3 m shall be used for measurements. The EUT was placed on the top of a rotating table 0.8 meter above the ground at a 3 meter semi-anechoic chamber. The table was rotated 360 degrees to determine the position of the highest radiation.(above 1GHz)
- c. The height of the equipment or of the substitution antenna shall be 0.8 m, the height of the test antenna shall vary between 1 m to 4 m. Both horizontal and vertical polarizations of the antenna are set to make the measurement.
- d. For each suspected emission, the EUT was arranged to its worst case and then the antenna was tuned to heights find the maximum reading (used Bore sight function).
- e. The receiver system was set to peak and average detect function and specified bandwidth with maximum hold mode when the test frequency is above 1GHz.
- f. The initial step in collecting radiated emission data is a receiver peak detector mode pre-scanning the measurement frequency range. Significant peaks are then marked and then Quasi Peak detector mode re-measured.
- g. All readings are Peak unless otherwise stated QP in column of Note. Peak denotes that the Peak reading compliance with the QP Limits and then QP Mode measurement didn't perform. (below 1GHz)
- h. All readings are Peak Mode value unless otherwise stated AVG in column of Note. If the Peak Mode Measured value compliance with the Peak Limits and lower than AVG Limits, the EUT shall be deemed to meet both Peak & AVG Limits and then only Peak Mode was measured, but AVG Mode didn't perform. (above 1GHz)
- i. For the actual test configuration, please refer to the related Item - Block Diagram of system tested (please refer to 3.3).

4.2.4 DEVIATION FROM TEST STANDARD

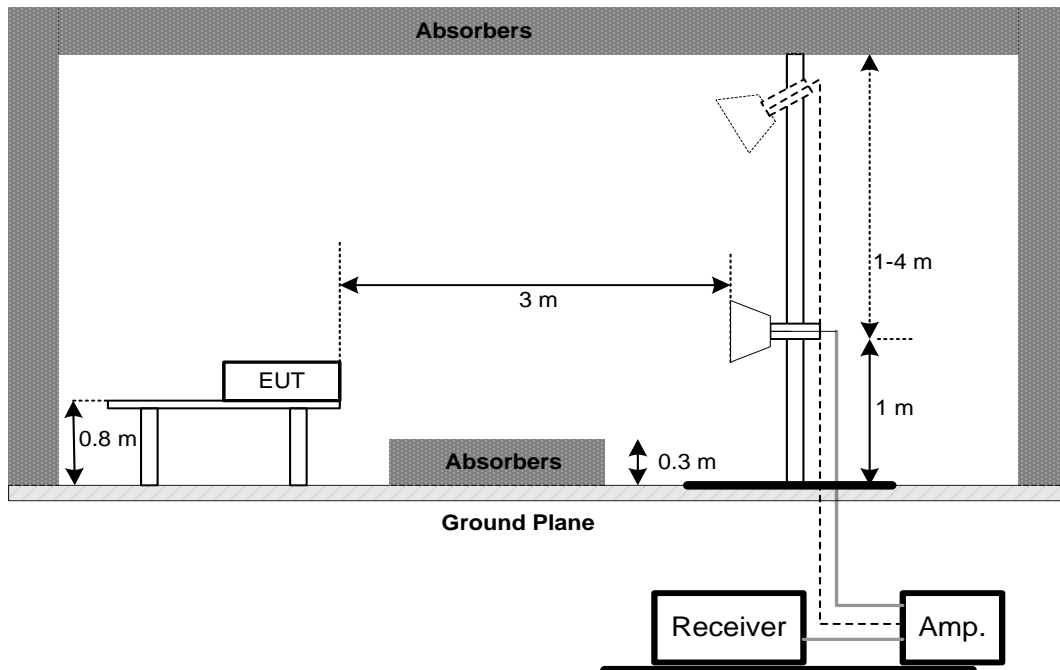
No deviation

4.2.5 TEST SETUP

(A) Radiated Emission Test Set-Up Frequency Below 1 GHz



(B) Radiated Emission Test Set-Up Frequency 1 GHz



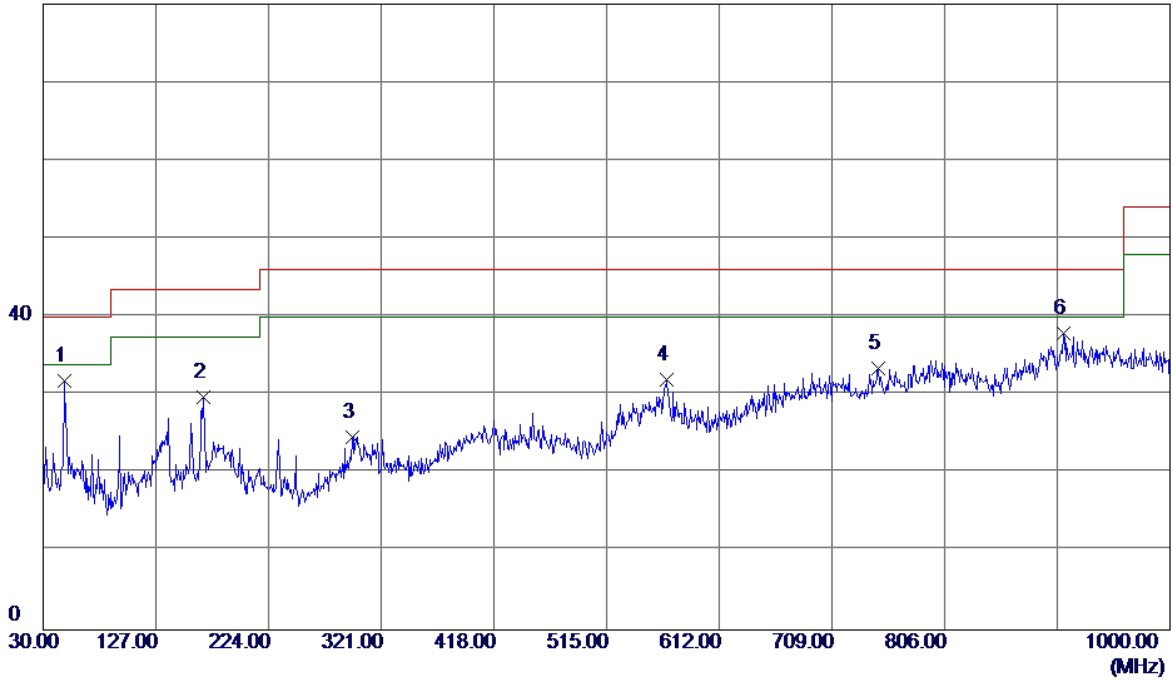
4.2.6 TEST RESULTS-BELOW 1GHZ

Remark :

- (1) All readings are Peak unless otherwise stated QP in column of 『Note』 . Peak denotes that the Peak reading compliance with the QP Limits and then QP Mode measurement didn't perform ◦
- (2) Measuring frequency range from 30MHz to 1000MHz ◦
- (3) If the peak scan value lower limit more than 20dB, then this signal data does not show in table ◦

EUT	LTE Module	Model Name	ME919Bs-567a
Temperature	25°C	Relative Humidity	60%
Test Voltage	AC 120V/60Hz	Polarization	Vertical
Test Mode	EUT with PC+idle		
Test Engineer	Kevin Li		

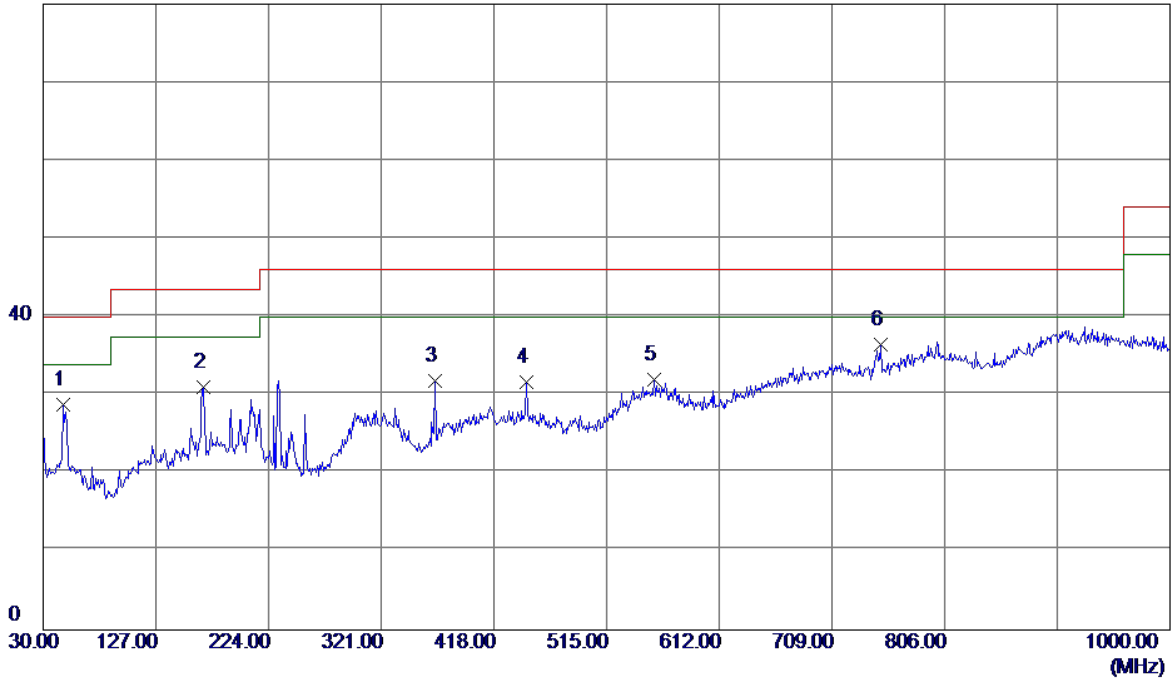
80 dBuV/m



No.	Freq. MHz	Reading Level dBuV/m	Correct Factor dB	Measure ment dBuV/m	Limit dBuV/m	Margin dB	Detector
1	47.9450	44.82	-13.01	31.81	40.00	-8.19	QP
2	168.2250	42.05	-12.22	29.83	43.50	-13.67	QP
3	296.2650	35.26	-10.57	24.69	46.00	-21.31	QP
4	566.8950	37.34	-5.39	31.95	46.00	-14.05	QP
5	748.7700	35.41	-1.97	33.44	46.00	-12.56	QP
6 *	908.3350	35.27	2.61	37.88	46.00	-8.12	QP

EUT	LTE Module	Model Name	ME919Bs-567a
Temperature	25°C	Relative Humidity	60%
Test Voltage	AC 120V/60Hz	Polarization	Horizontal
Test Mode	EUT with PC+idle		
Test Engineer	Kevin Li		

80 dBuV/m



No.	Freq. MHz	Reading Level dBuV/m	Correct Factor dB	Measure ment dBuV/m	Limit dBuV/m	Margin dB	Detector
1	47.4600	41.63	-12.87	28.76	40.00	-11.24	QP
2	167.7400	43.27	-12.22	31.05	43.50	-12.45	QP
3	367.5600	41.92	-10.01	31.91	46.00	-14.09	QP
4	446.1300	39.69	-7.98	31.71	46.00	-14.29	QP
5	555.7400	36.83	-4.83	32.00	46.00	-14.00	QP
6 *	750.7100	38.37	-1.94	36.43	46.00	-9.57	QP

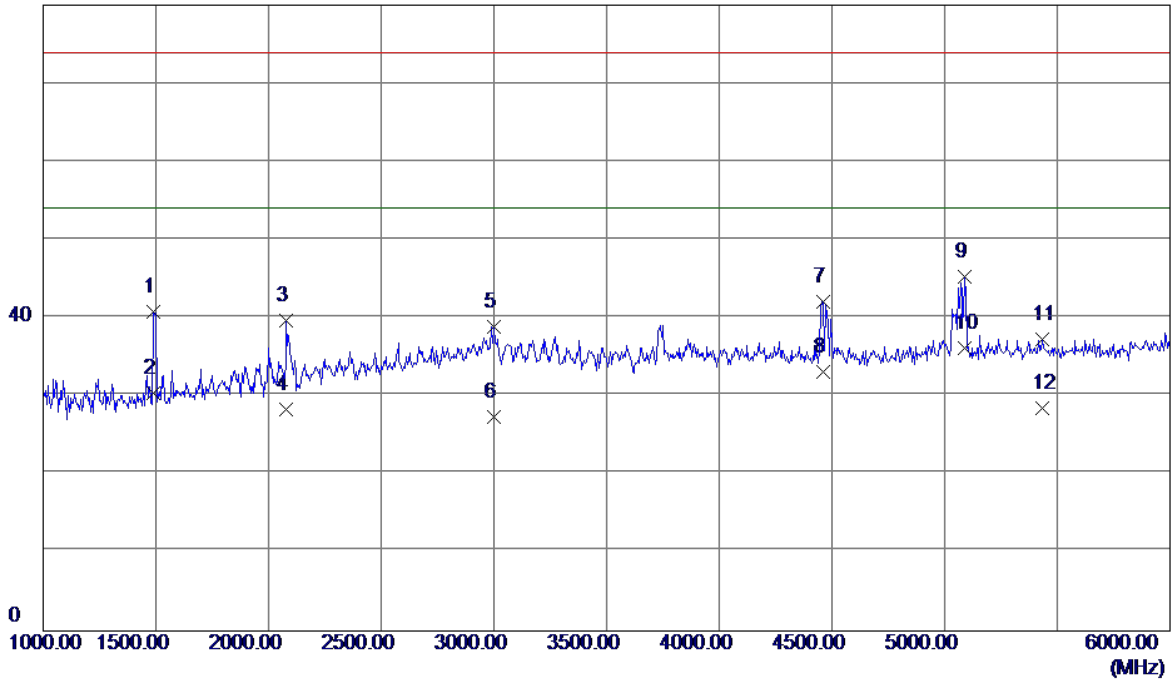
4.2.7 TEST RESULTS-ABOVE 1GHZ

Remark :

- (1) All readings are Peak unless otherwise stated QP in column of『Note』. Peak denotes that the Peak reading compliance with the QP Limits and then QP Mode measurement didn't perform.
- (2) Radiated emissions measured in frequency range above 1000MHz were made with an instrument using Peak detector mode and AV detector mode of the emission.
- (3) Data of measurement within this frequency range shown “ * ” in the table above means the reading of emissions are attenuated more than 20dB below the permissible limits or the field strength is too small to be measured.
- (4) A preamp and high pass filter were used for this test in order to provide sufficient measurement sensitivity.

EUT	LTE Module	Model Name	ME919Bs-567a
Temperature	25°C	Relative Humidity	60%
Test Voltage	AC 120V/60Hz	Polarization	Vertical
Test Mode	EUT with PC+idle		
Test Engineer	Kevin Li		

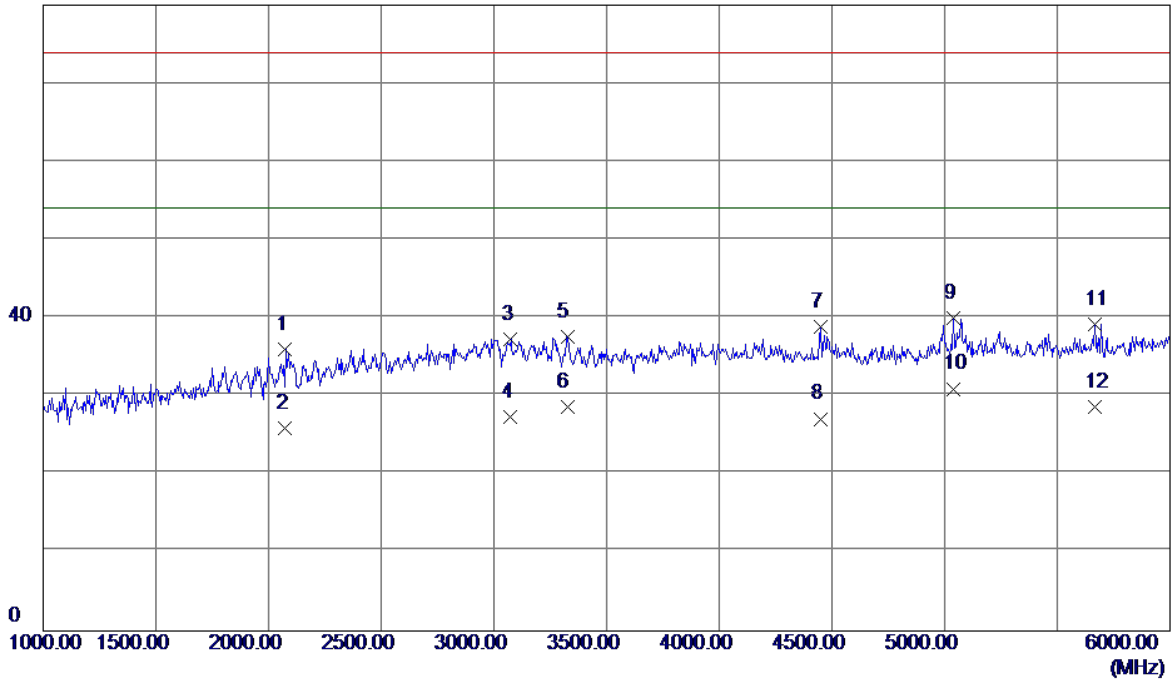
80 dBuV/m



No.	Freq. MHz	Reading Level dBuV/m	Correct Factor dB	Measure ment dBuV/m	Limit dBuV/m	Margin dB	Detector
1	1490.0000	47.79	-7.05	40.74	74.00	-33.26	Peak
2	1490.0000	37.50	-7.05	30.45	54.00	-23.55	AVG
3	2080.0000	43.43	-3.68	39.75	74.00	-34.25	Peak
4	2080.0000	32.00	-3.68	28.32	54.00	-25.68	AVG
5	3000.0000	37.97	0.91	38.88	74.00	-35.12	Peak
6	3000.0000	26.50	0.91	27.41	54.00	-26.59	AVG
7	4462.5000	39.98	2.07	42.05	74.00	-31.95	Peak
8	4462.5000	30.98	2.07	33.05	54.00	-20.95	AVG
9	5090.0000	41.42	3.81	45.23	74.00	-28.77	Peak
10 *	5090.0000	32.30	3.81	36.11	54.00	-17.89	AVG
11	5435.0000	32.80	4.50	37.30	74.00	-36.70	Peak
12	5435.0000	23.95	4.50	28.45	54.00	-25.55	AVG

EUT	LTE Module	Model Name	ME919Bs-567a
Temperature	25°C	Relative Humidity	60%
Test Voltage	AC 120V/60Hz	Polarization	Horizontal
Test Mode	EUT with PC+idle		
Test Engineer	Kevin Li		

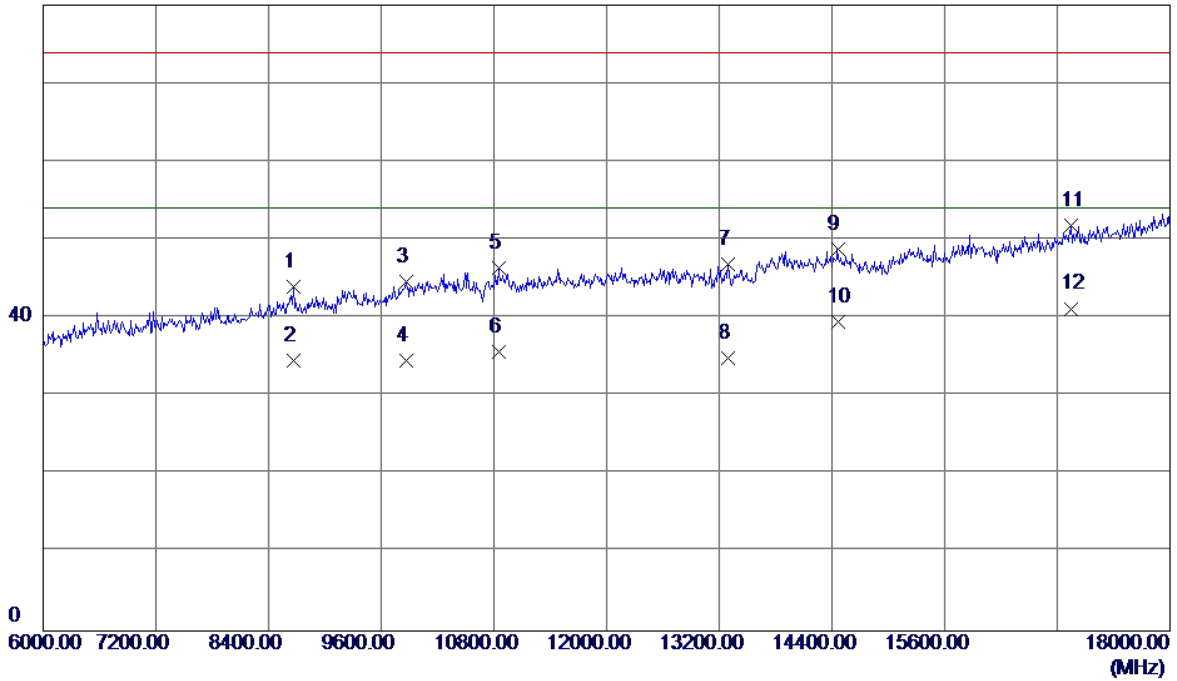
80 dBuV/m



No.	Freq. MHz	Reading Level dBuV/m	Correct Factor dB	Measure ment dBuV/m	Limit dBuV/m	Margin dB	Detector
1	2075.0000	39.66	-3.70	35.96	74.00	-38.04	Peak
2	2075.0000	29.59	-3.70	25.89	54.00	-28.11	AVG
3	3075.0000	36.48	0.86	37.34	74.00	-36.66	Peak
4	3075.0000	26.44	0.86	27.30	54.00	-26.70	AVG
5	3325.0000	36.88	0.70	37.58	74.00	-36.42	Peak
6	3325.0000	27.93	0.70	28.63	54.00	-25.37	AVG
7	4450.0000	36.76	2.07	38.83	74.00	-35.17	Peak
8	4450.0000	25.05	2.07	27.12	54.00	-26.88	AVG
9	5040.0000	36.27	3.71	39.98	74.00	-34.02	Peak
10 *	5040.0000	27.25	3.71	30.96	54.00	-23.04	AVG
11	5665.0000	34.23	5.00	39.23	74.00	-34.77	Peak
12	5665.0000	23.63	5.00	28.63	54.00	-25.37	AVG

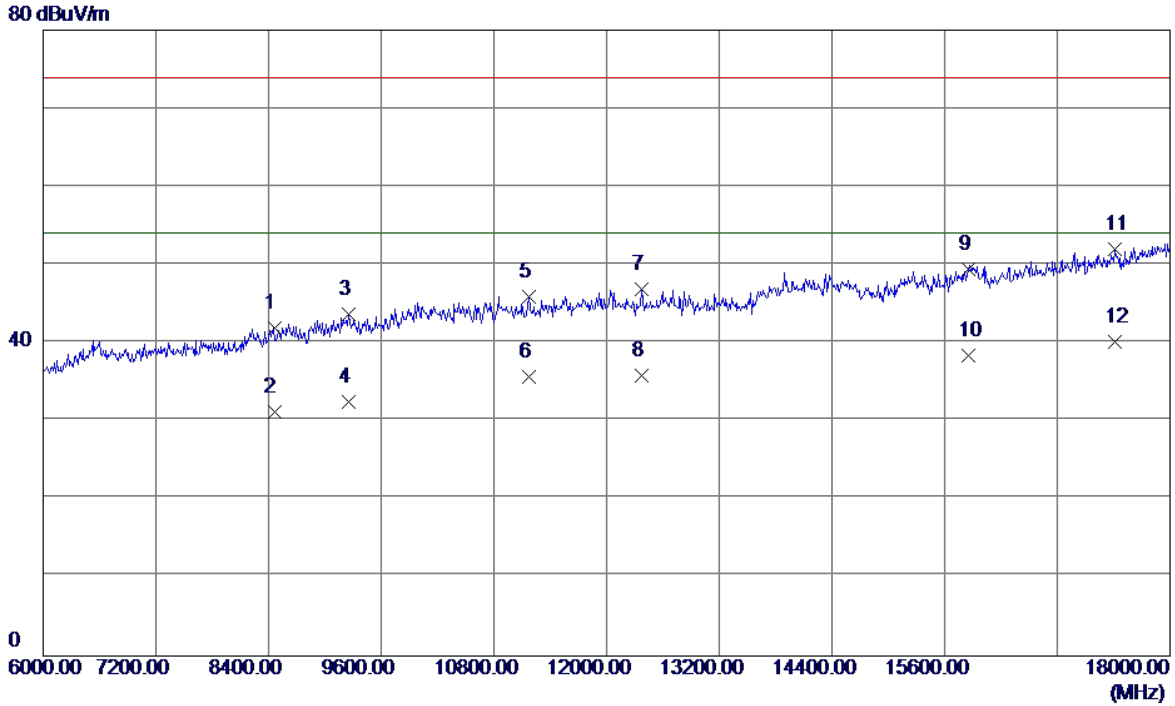
EUT	LTE Module	Model Name	ME919Bs-567a
Temperature	25°C	Relative Humidity	60%
Test Voltage	AC 120V/60Hz	Polarization	Vertical
Test Mode	EUT with PC+idle		
Test Engineer	Kevin Li		

80 dBuV/m



No.	Freq. MHz	Reading Level dBuV/m	Correct Factor dB	Measure ment dBuV/m	Limit dBuV/m	Margin dB	Detector
1	8664.0000	31.98	11.98	43.96	74.00	-30.04	Peak
2	8664.0000	22.58	11.98	34.56	54.00	-19.44	AVG
3	9864.0000	30.62	14.01	44.63	74.00	-29.37	Peak
4	9864.0000	20.62	14.01	34.63	54.00	-19.37	AVG
5	10848.0000	30.48	15.97	46.45	74.00	-27.55	Peak
6	10848.0000	19.65	15.97	35.62	54.00	-18.38	AVG
7	13296.0000	29.40	17.44	46.84	74.00	-27.16	Peak
8	13296.0000	17.45	17.44	34.89	54.00	-19.11	AVG
9	14460.0000	30.05	18.74	48.79	74.00	-25.21	Peak
10	14460.0000	20.71	18.74	39.45	54.00	-14.55	AVG
11	16944.0000	31.55	20.26	51.81	74.00	-22.19	Peak
12 *	16944.0000	20.94	20.26	41.20	54.00	-12.80	AVG

EUT	LTE Module	Model Name	ME919Bs-567a
Temperature	25°C	Relative Humidity	60%
Test Voltage	AC 120V/60Hz	Polarization	Horizontal
Test Mode	EUT with PC+idle		
Test Engineer	Kevin Li		



No.	Freq. MHz	Reading Level dBuV/m	Correct Factor dB	Measure ment dBuV/m	Limit dBuV/m	Margin dB	Detector
1	8460.0000	30.34	11.55	41.89	74.00	-32.11	Peak
2	8460.0000	19.71	11.55	31.26	54.00	-22.74	AVG
3	9252.0000	30.95	12.74	43.69	74.00	-30.31	Peak
4	9252.0000	19.71	12.74	32.45	54.00	-21.55	AVG
5	11172.0000	29.77	16.20	45.97	74.00	-28.03	Peak
6	11172.0000	19.43	16.20	35.63	54.00	-18.37	AVG
7	12372.0000	30.24	16.71	46.95	74.00	-27.05	Peak
8	12372.0000	19.18	16.71	35.89	54.00	-18.11	AVG
9	15852.0000	31.24	18.26	49.50	74.00	-24.50	Peak
10	15852.0000	20.19	18.26	38.45	54.00	-15.55	AVG
11	17412.0000	29.95	22.00	51.95	74.00	-22.05	Peak
12 *	17412.0000	18.12	22.00	40.12	54.00	-13.88	AVG